

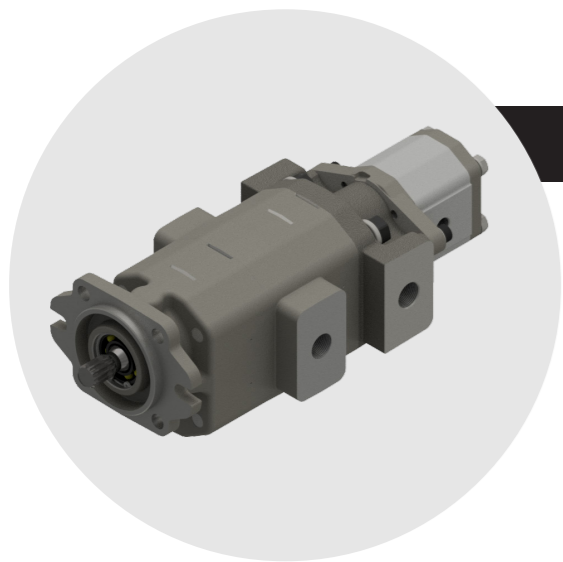
Compact Wheel Loaders



Roquet Hydraulics, S.L.
Antoni Figueras, 91, bloc B
08551 Tona | Barcelona | Spain
Phone: +34 938 124 664
info@roquetgroup.com
www.roquetgroup.com

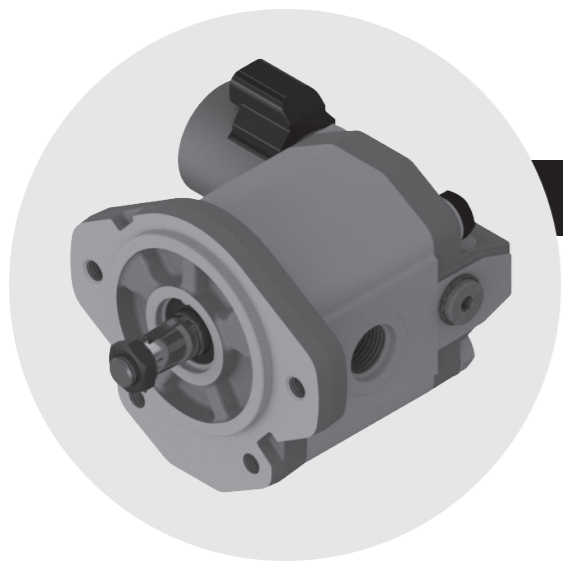
Roquet
making moves





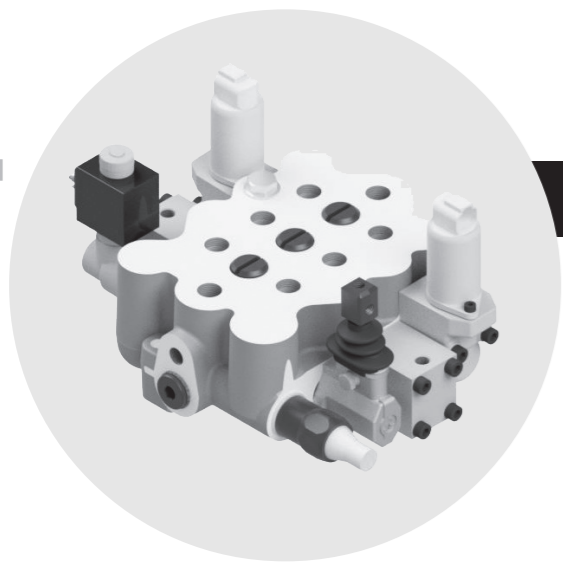
Main Pump

- Cast Iron Pump (single or multiple).
- Compact and resistant.
- Hydrostatically balanced.
- Multiple displacements, port connections, fixing flanges and driving shafts available.



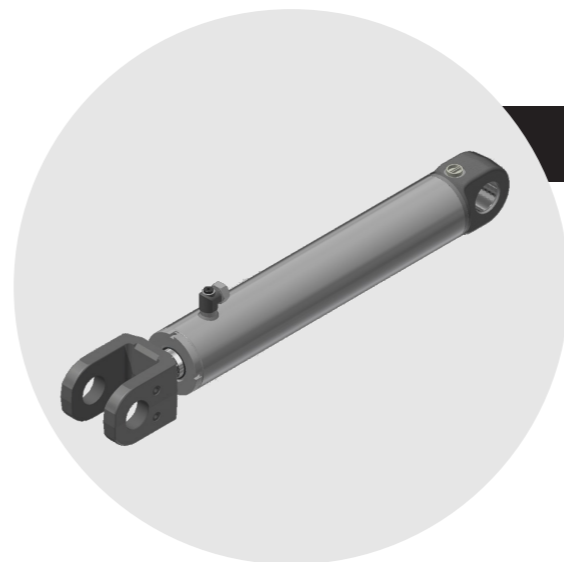
Fan Motor

- Group 3 Aluminium motor with pressure proportional relief valve.
- Displacements, front flanges, drive shafts and ports most common available.
- Voltage range – 12V DC / 24V DC.
- Connectors Deutsch DT04-2P and DIN 43650 / ISO 4400.



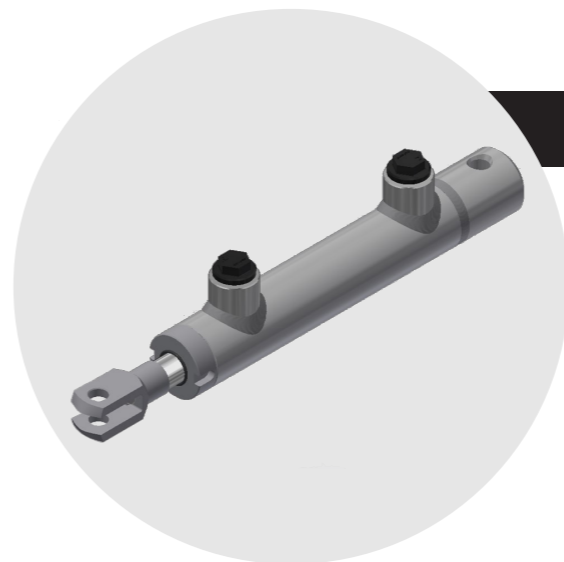
Main Control Valve

- Open center with low pressure drop, rated 80l. / min.
- Specific spool metering.
- Max. Pressure: 350bar.
- Mechanical, pneumatic, hydraulic, electrohydraulic proportional and electromecanic actuator.



CWL Cylinders

- Product optimized to meet your needs.
- Rod friction welding. Wide range of rod materials: C45, 38MnVS6,...
- Forging components, wide range of bearing types.
- Rod diameter: from 20 to 100mm.
- Tub internal diameter: from 40 to 150mm.
- Tube internal diameter finished after welding.
- High rod corrosion resistance: NSS or CASS rating.
- Best-in-class highly automated manufacturing, automated assembly and test and painting processes.



Coupler Cylinders

- Product optimized to meet your needs.
- Special body design on demand.
- Nodular and laminar casting.
- Low friction Premium sealing system.
- Rod diameter: from 16 to 45mm.
- Tub internal diameter: from 35 to 80mm.
- Tube internal diameter finished after welding.
- High rod corrosion resistance: NSS or CASS rating.
- Best-in-class highly automated manufacturing, automated assembly and test and painting processes.
- Main welding 100% robotized. Rod friction welding available.

