

# Cylinders

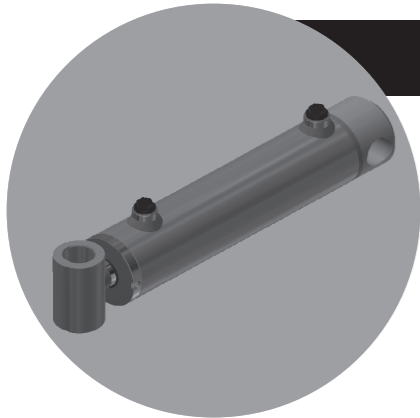


**Roquet Hydraulics, S.L.**  
Antoni Figueras, 91, bloc B  
08551 Tona | Barcelona | Spain  
Phone: +34 938 124 664  
[www.roquetgroup.com](http://www.roquetgroup.com)

***Roquet***  
*making moves*

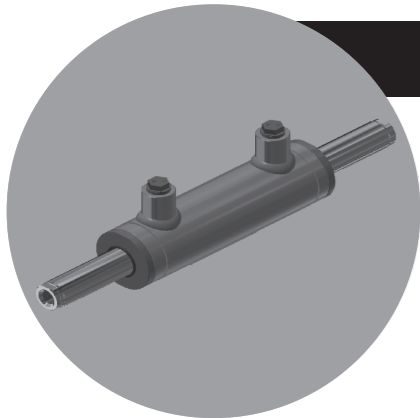
# Roquet making moves

## Front Loader Cylinders



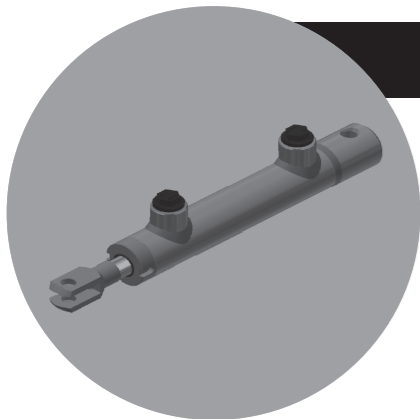
- Tube Internal Diameter Finished (Honing & SRB) after welding
- Main weldings 100% robotized
- Top Class Painting Process & Nano-Ceramic preparation process
- High rod corrosion resistance: NSS or CASS rating
- Automated assembly and test for high volumes
- Rod diameter from 20 to 60 mm
- Tube Internal diameter from 40 to 110 mm
- Best-in-class highly automated manufacturing

## Steering Cylinders



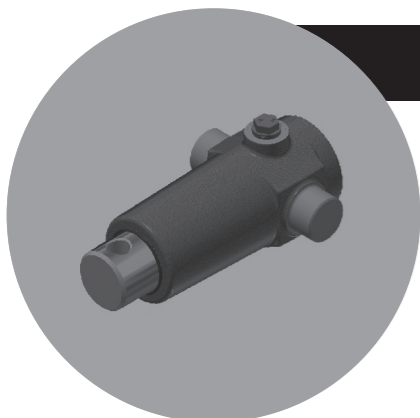
- Tube Internal Diameter Finished (Honing & SRB) after welding
- Main weldings 100% robotized
- Top Class Painting Process & Nano-Ceramic preparation process
- High rod corrosion resistance: NSS or CASS rating
- Low Friction premium sealing system
- Rod diameter from 20 to 45 mm
- Tube Internal diameter from 35 to 80 mm
- Best-in-class highly automated manufacturing

## Coupler Cylinders



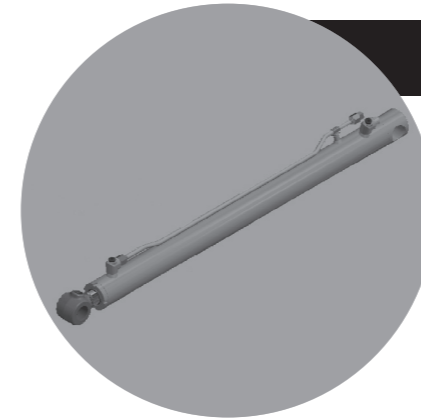
- Tube Internal Diameter Finished (Honing & SRB) after welding
- Main weldings 100% robotized
- Top Class Painting Process & Nano-Ceramic preparation process
- High rod corrosion resistance: NSS or CASS rating
- Low Friction premium sealing system
- Rod diameter from 16 to 45 mm
- Tube Internal diameter from 35 to 80 mm
- Best-in-class highly automated manufacturing

## Casting Cylinders



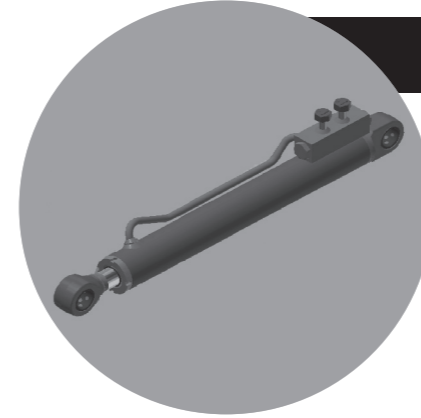
- Special body design on demand
- Top Class Painting Process & Nano-Ceramic preparation process
- High rod corrosion resistance: NSS or CASS rating
- Rod diameter from 20 to 60 mm
- Nodular and laminar casting

## SSL CTL Cylinders



- Tube Internal Diameter Finished (Honing & SRB) after welding
- Rod Friction Welding. Wide range of Rod materials: C45, 38MnV56, ...
- High rod corrosion resistance: NSS or CASS rating
- Main weldings 100% robotized
- Cushioned options both ends
- Top Class Painting Process & Nano-Ceramic preparation process
- Rod diameter from 20 to 60 mm
- Tube Internal diameter from 40 to 110 mm
- Forging Components, wide range of bearing types
- Best-in-class highly automated manufacturing

## MEX Cylinders



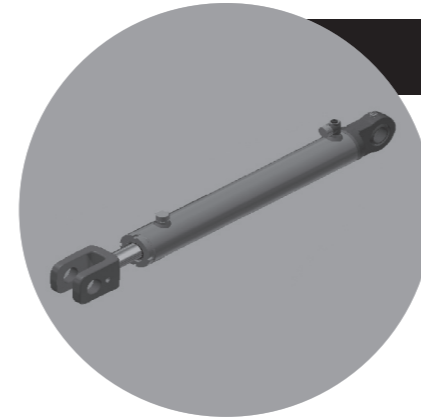
- Tube Internal Diameter Finished (Honing & SRB) after welding
- Rod Friction Welding. Wide range of Rod materials: C45, 38MnV56, ...
- High rod corrosion resistance: NSS or CASS rating
- Main weldings 100% robotized
- Cushioned options both ends. Bucket & Arms robust designs
- Top Class Painting Process & Nano-Ceramic preparation process
- Integrated Valve blocs
- Rod diameter from 20 to 60 mm
- Tube Internal diameter from 40 to 110 mm
- Forging Components, wide range of bearing types
- Best-in-class highly automated manufacturing

## CWL Cylinders



- Tube Internal Diameter Finished (Honing & SRB) after welding
- Rod Friction Welding
- Wide range of Rod materials: C45, 38MnV56, ...
- High rod corrosion resistance: NSS or CASS rating
- Main weldings 100% robotized
- Top Class Painting Process & Nano-Ceramic preparation process
- Rod diameter from 20 to 100 mm
- Tube Internal diameter from 40 to 150 mm
- Forging Components, wide range of bearing types
- Best-in-class highly automated manufacturing

## Steering Cylinders



- Tube Internal Diameter Finished (Honing & SRB) after welding
- Rod Friction Welding
- Wide range of Rod materials: C45, 38MnV56, ...
- High rod corrosion resistance: NSS or CASS rating
- Main weldings 100% robotized
- Top Class Painting Process & Nano-Ceramic preparation process
- Rod diameter from 20 to 60 mm
- Tube Internal diameter from 40 to 110 mm
- Forging Components, wide range of bearing types
- Best-in-class highly automated manufacturing