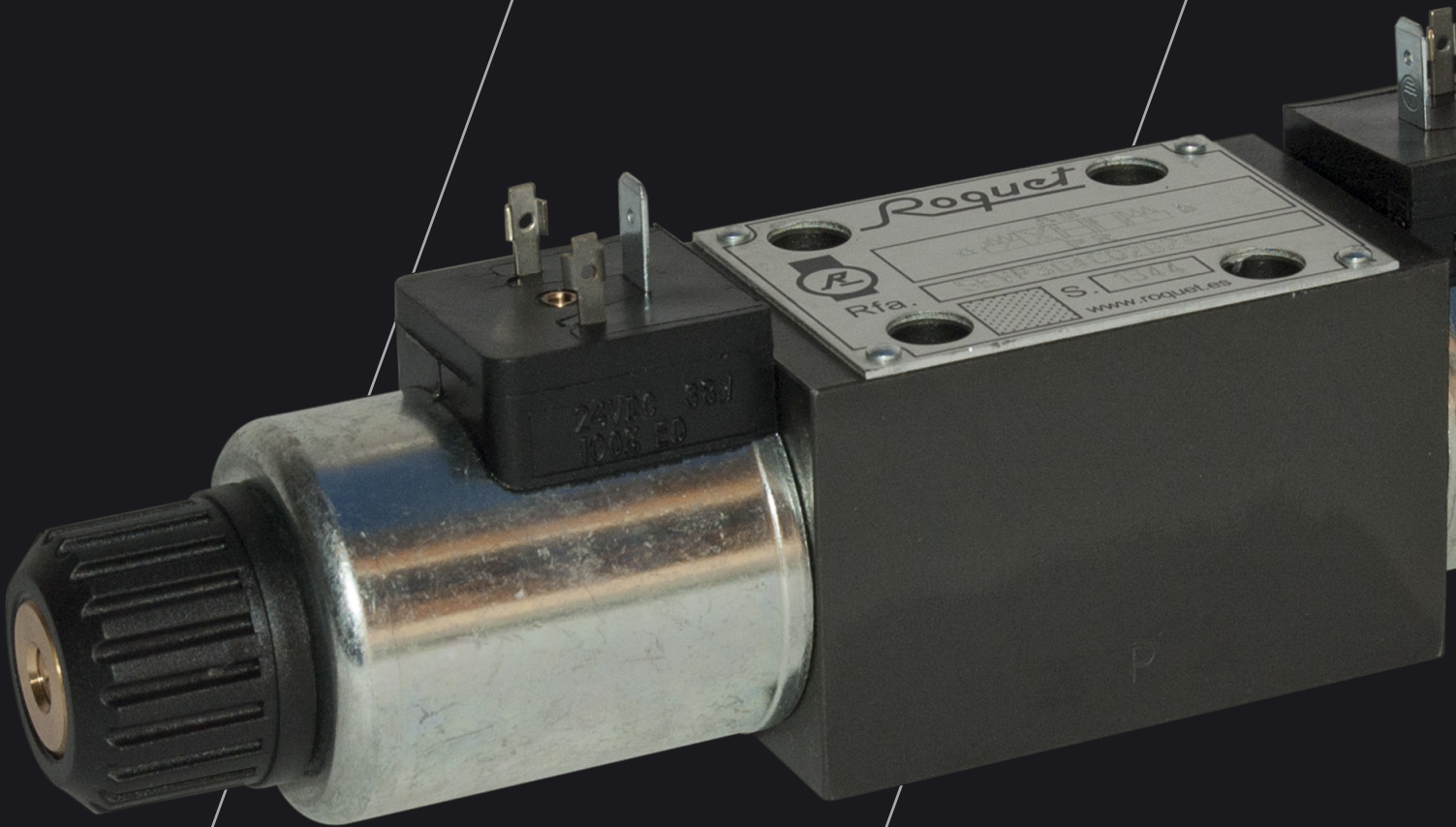


CETOP RP121H
SOLENOID OPERATED VALVES
MODULAR COMPONENTS



Roquet
making moves

This Catalogue shows the product in the most standard configuration; customized or special designs are also available, please contact to ROQUET HYDRAULICS S.L.

The specifications y data in this catalogue are not open to any interpretation, please contact with ROQUET HYDRAULICS S.L. in case of doubt.

ROQUET HYDRAULICS S.L. reserves the right to modify, update or revise this catalogue without prior notice.
ROQUET HYDRAULICS S.L. is not responsible for any damage caused by an incorrect use of the product.

This catalogue covers the Roquet range of industrial directional valves and associated stacking valves and sub-plates.

The mounting dimensions of this range of valves conform to the following standards: CETOP RP121H, DIN-24340 and ISO-4401.

The following sizes are produced: NG6 (CETOP 3), NG10 (CETOP 5), NG16 (CETOP 7), NG25 (CETOP 8) giving nominal flow rates of 80 to 350 L./min. at pressures up to 350 bar.

A wide range of stacking valves (pressure control, flow control, check valves, etc.) are available for the NG6 y NG10 valves (CETOP 3 and 5), as well as subplates with built-in relief valves. Appropriate use of these stacking valves can dramatically reduce the amount of pipe-work in a system.

Hydraulic damping of spool movement (to reduce system shocks with solenoid operated valves) can be provided for all sizes except NG6 (CETOP 3).

Hydraulic symbols used in this catalogue conform to ISO-1219.

Index

Solenoid operated valves NG-6.....	4
Solenoid operated valves NG-6	5
Relief valve	8
Simple relief valve	10
Double relief valve	12
Sequence valve	14
Pressure reducing valve	18
Sub-plate with relief valve	20
Special manifold blocks NG-6	22
Check valve	24
Pilot check valve	25
Double throttle valve with check valve	27
2 and 3 way flow control valves	31
2 way flow control valves	33
3 way flow control valves	35
Sub-plate NG-6	36
 Solenoid operated valves NG-10.....	 38
Solenoid operated valves NG-10	39
Relief valve	42
Simple relief valve	45
Double relief valve	47
Pressure reducing valve	49
Sub-plate with relief valve	51
Manifold blocks NG-10	53
Check valve	55
Pilot check valve	56
Double throttle valve with check valve	58
2 and 3 ways flow control valve	60
2 ways flow control valve	62
3 ways flow control valve	64
Sub-plates NG-10	65
 Solenoid operated valves NG-16, 25.....	 66
Solenoid operated valves NG-16, 25	67
Directional control valve hydraulic pilot NG-16	69
Valve for internal pilot in open centre directional control systems	72
Brake valve for solenoid controlled valves	74
Brake valve for solenoid controlled valves (spare parts)	74
Sub-plates NG - 16	75
Sub-plates NG - 25	75
 Notes.....	 76

Hydraulic technical data	
Max. working pressure	315 bar
Nominal pressure in return	Dynamic 80 bar
Max. nominal flow rate	80 L/min
Fluid to be used	ISO 6743 TYPE HM, HV or HG ISO 3448 Cat. VG32, VG46
Fluid temperature range	-20°C... +80°C
Viscosity range	4 - 500 cSt
Recommended fluid cleanliness	19/16 s/. ISO 4406 - RP70H or better
Weight with 2 solenoids	1,8 Kg
Weight with one solenoid	1,4 Kg

Electrical technical data		
Consumption per solenoid		
D.C.		38W
A.C.	Open circuit	180VA
	Closed circuit	65VA
D.C. Voltage range		12V - 24V
A.C. Voltage range		24V-48V-110V-220V (50Hz) 115V-230V (60Hz)
Operating factor		ED 100%
Protection to DIN-40050		IP - 65
Voltage tolerance		Unom ± 10 %
Switching frequency		D.C. = Max. 15000/h A.C. = 7200/h
Response time		D.C. A.C.
Switch ON		20 - 60 ms 10 - 25 ms
Switch OFF		50 - 70 ms 25 - 50 ms

PART NUMBER

5 EV	P	3	D	1	C	02	R	220-50	*
		↑ 1		↑ 2	↑ 3		↑ 4	↑ 5	↑ 6

1 Positions and solenoids	
1	Two positions one solenoid (only for spool type 7-8 and 17-18)
2	Two positions two solenoids
3	Three positions two solenoids
12	Two positions neutral and one end (A)
13	Two positions neutral and one end (B)
14	Two positions end and neutral (A)
29	Two positions with detent

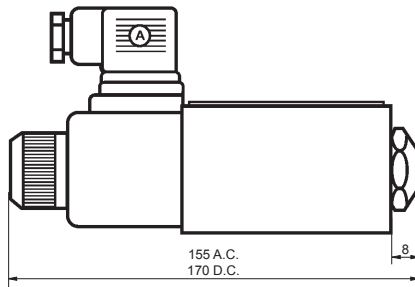
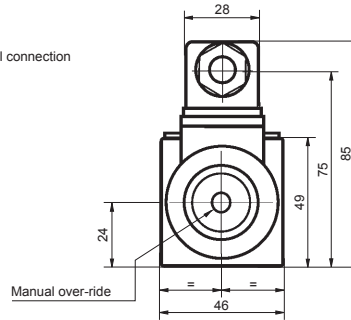
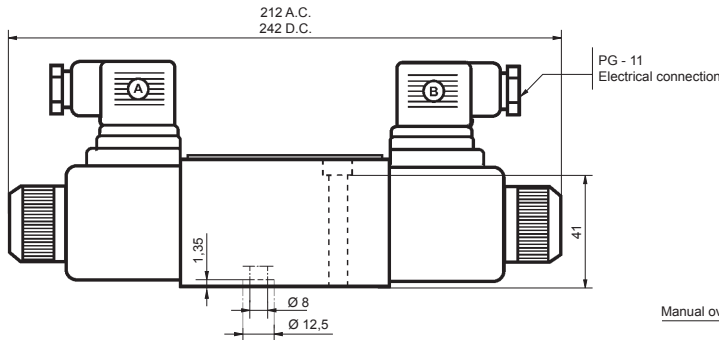
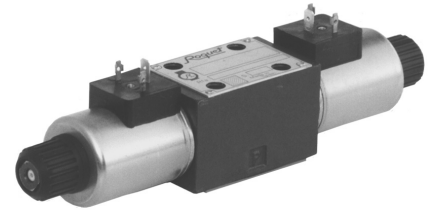
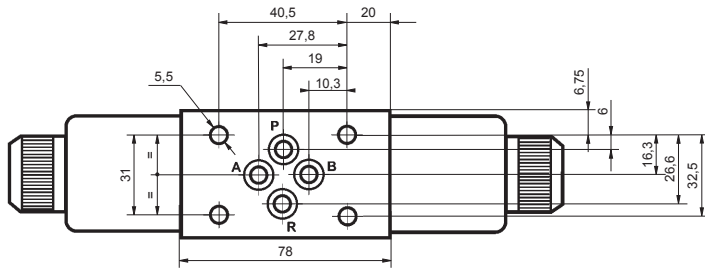
2 Spool type	
1 - 2 - 3 - 4 - 5 - 6 - 7 - 8 - 13 - 17 - 18	

3 Ways	
C	4
B	3

4 Current type	
C	DC voltage
R	AC voltage

5 Voltage and frequency	
A.C.	24V - 50Hz / 48V - 50Hz / 110V - 50Hz / 220V - 50Hz 115V - 60Hz / 230V - 60Hz
D.C.	12 V - 24 V

6 Additional data	
L	Connector with led
V	Connector with varisto
LD	Connector with led and diode
REC	Connector with rectifier



Version with one solenoid (spools 17 and 18)

For spools 7, 8 and assembly type 13 the solenoid will be placed at side of outlet «B»

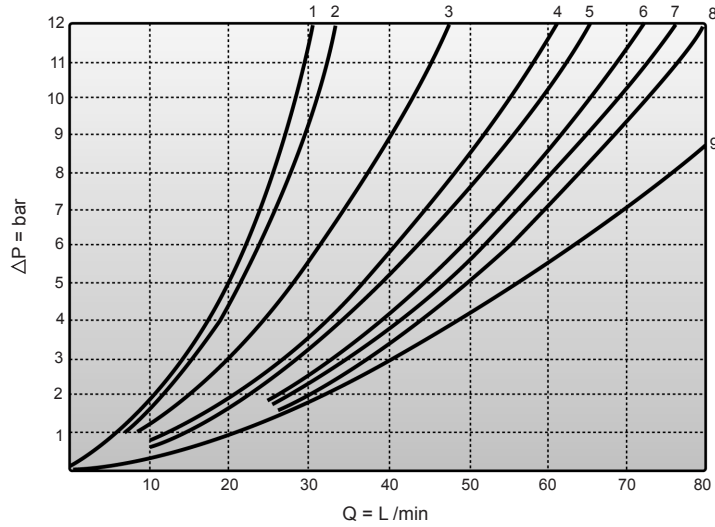
P	Pressure inlet
A & B	Outlet to cylinders or motors
R	Return

Reference	Spool type	Symbol	Connections				
			Solenoid "A" switched on		Central position	Solenoid "B" switched on	
5EVP3D1C02*	1		P (1) A	B (1) R	A & B (2) P (1) R	P (1) B	A (1) R
5EVP3D2C02*	2		P (1) B	A (1) R	A, B, P & R (2)		
5EVP3D3C02*	3				A & B (1) R P (2)		
5EVP3D4C02*	4				A, B, P (1) R		
5EVP3D5C02*	5		P (1) A	B (2) R	A (1) R B & P (2)		
5EVP3D6C02*	6				A (2) B & P (1) R		
5EVP3D13C02*	13		P (1) B	A (1) R	A & B (1) P R (2)		
5EVP2D2C02*	2						
5EVP29D2C02*	2						
5EVP12D4C02*	4				A, B, P (1) R		
			Solenoid switched ON		Solenoid switched OFF		
5EVP1D7B02*	7		P(1) A	B & R (2)	P (1) B	A (1) R	
5EVP1D8C02*	8		P (1) A	B (1) R	P (1) B	A (1) R	
5EVP1D17B02*	17		P (1) B	A & R (2)	P (1) A	B & R (2)	
5EVP1D18C02*	18		P (1) B	A (1) R	P (1) A	B (1) R	

(1) Connected. (2) Closed.

*Solenoid current type:
D for D.C. current, indicating after it voltage required.
R for A.C. current, indicating after it voltage and frequency required.

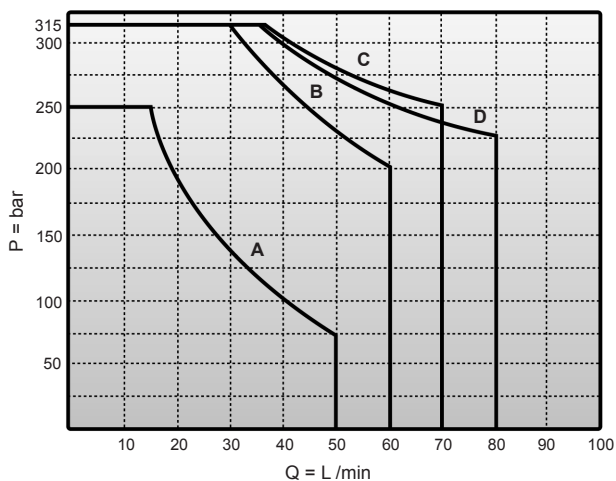
Diagram: Δp -Q to 23 cSt



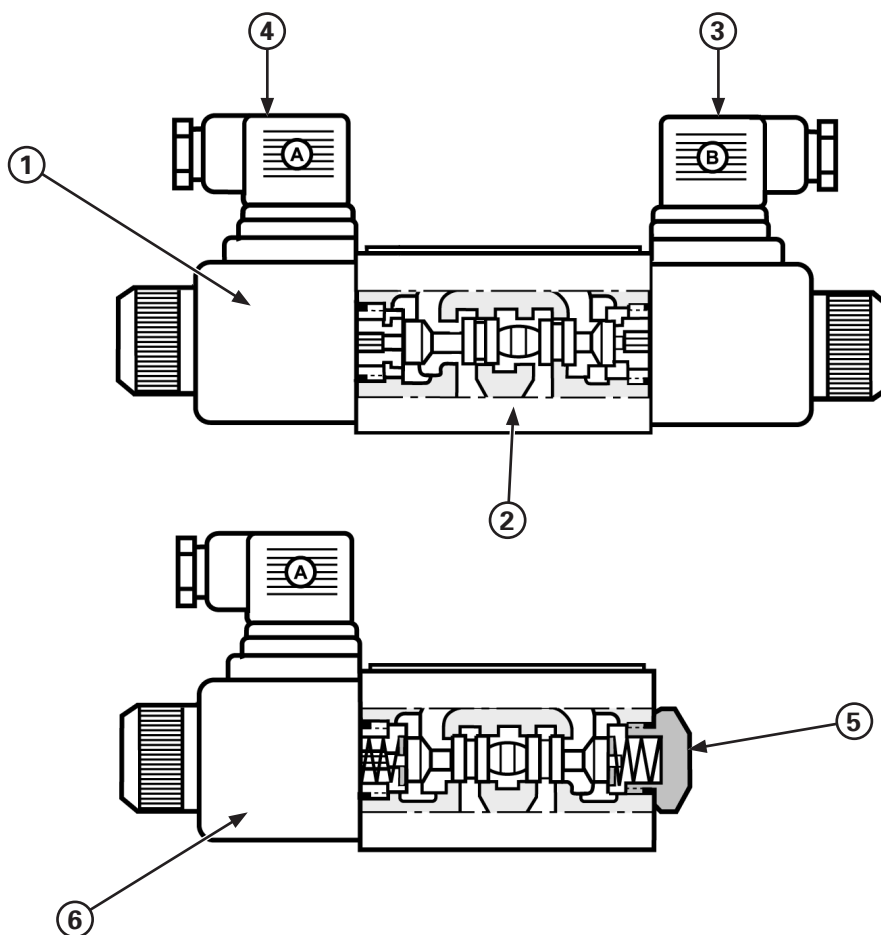
Spool form	P → A	P → B	A → R	B → R	P → R
1	1	1	2	2	3
2	5	5	6	6	-
3	5	5	9	9	-
4	6	6	8	8	7
5	5	5	9	9	-
6	1	1	2	2	3
7	7	7	-	-	-
8	4	4	7	7	-
13	6	6	8	8	-
17	7	7	-	-	-
18	4	4	7	7	-

Note:
Curves are for the solenoid valves only and do not include sub-plate pressure drops.

Operating limits



Spool type	Curve
7 - 17	A
1	B
8 - 18	C
2 - 3 - 4 - 5 - 6 - 13	D



Mark	Part number	Description and parts	Mark	Part number	Description and parts
1A	8967500010	Spare kit of coil AC 110V-32W. Hirschmann.	5A	8967503	Spare kit of DC plug.
1B	8967500020	Spare kit of coil AC 220V-32W. Hirschmann.	5B	8967504	Spare kit of AC plug.
1C	8967500030	Spare kit of coil AC 24V-28W. Hirschmann.	6A	8967/48/1	Coil AC 110V-32W 50Hz. Hirschmann.
1D	8967500040	Spare kit of coil AC 48V-28W. Hirschmann.	6B	8967/48/2	Coil AC 220V-32W 50Hz. Hirschmann.
1E	8967500050	Spare kit of coil AC 115V-27W. Hirschmann.	6C	8967/48/3	Coil AC 24V-28W 50Hz. Hirschmann.
1F	8967500060	Spare kit of coil AC 230V-27W. Hirschmann.	6D	8967/48/4	Coil AC 48V-28W 50Hz. Hirschmann.
1G	8967500070	Spare kit of coil AC 24V-27W. Hirschmann.	6E	8967/48/5	Coil AC 110/115V-32/27W 50/60Hz. Hirschmann.
1H	8967500080	Spare kit of coil AC 42V-27W. Hirschmann.	6F	8967/48/6	Coil AC 220/230V-32/27W 50/60Hz. Hirschmann.
1I	8967500090	Spare kit of coil AC 240V-27W. Hirschmann.	6G	8967/48/7	Coil AC 24V-27W 60Hz. Hirschmann.
1J	8967501012	Spare kit of coil DC 12V-38W. Hirschmann.	6H	8967/48/8	Coil AC 42V-27W 60Hz. Hirschmann.
1K	8967501024	Spare kit of coil DC 24V-38W. Hirschmann.	6I	8967/48/9	Coil AC 240V-32W 50Hz. Hirschmann.
2A	N8967/76	Spare kit of seals	6J	2163/10/1	Coil DC 12V-38W. Hirschmann.
3A	8967/7	Connector B side. Hirschmann.	6K	2163/20/1	Coil DC 24V-38W. Hirschmann.
4A	8967/8	Connector A side. Hirschmann.			

Accessories		That need separate orders	
Sub-plate	RFE. 321001-321002-321031-321032	As per requirements	
Fixing bolts	4 Bolts DIN - 912 M5x50	Torque 7-9 Nm	

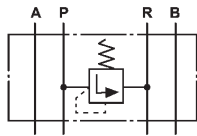
Hydraulic technical data

Max. working pressure	315 bar
Nominal flow	60 L./min.
Fluid recommended	ISO 6743 TYPE HM, HV or HG ISO 3448 Cat. VG32, VG46
Flow temperature range	-20°C...+80°C
Viscosity range	4 - 500 cST
Fluid cleanliness range	19/16 s/. ISO 4406 - RP70H or better
Weight	1,1 kg.

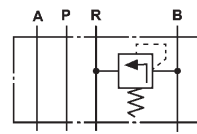


Type 4RL

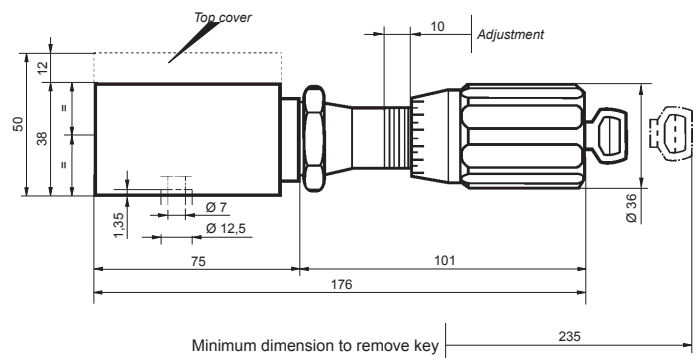
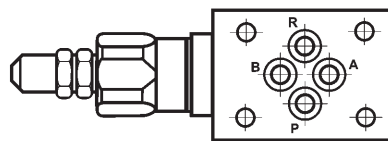
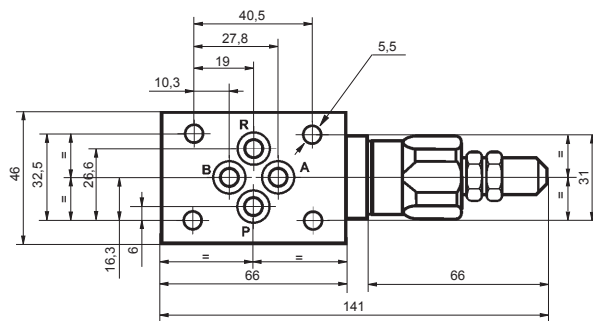
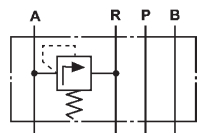
RFE. 4RL02P▲ */P



RFE. 4RL02P▲ */B



RFE. 4RL02P▲ */A



P	Pressure inlet port
A y B	Outlet ports to cylinders or motors
R	Return to tank

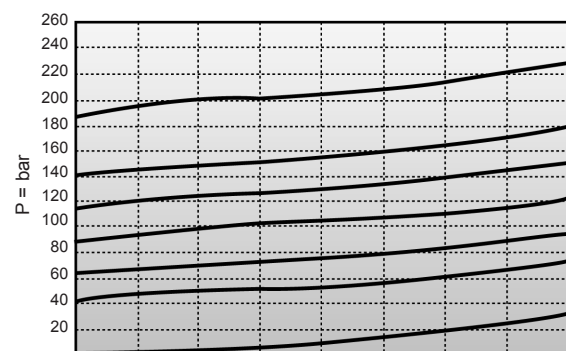
B	5-80 bar
D	85-175 bar
F	180-250 bar
G	255-315 bar

* The asterisk in the part number will be replaced by B - D - F or G according to setting pressure required.

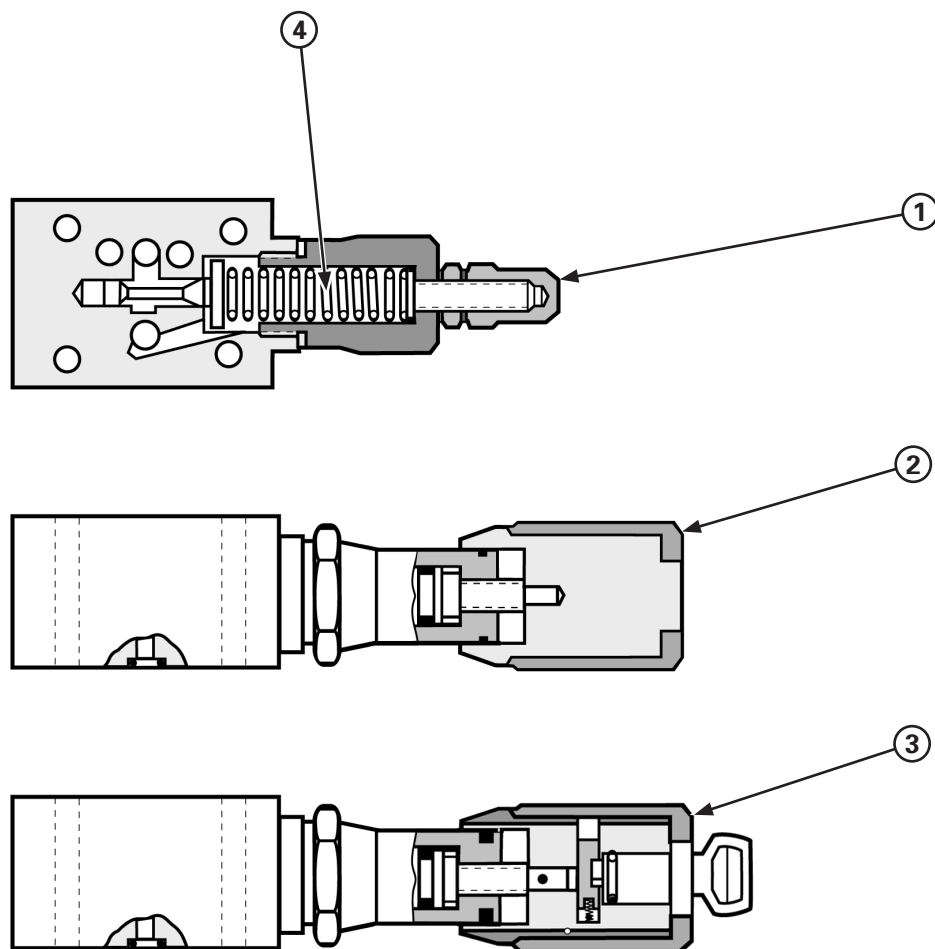
▲ In part number will be replaced by 2 - 3 - 4 according adjustment type

2	Adjustment by nut
3	Adjustment by knob
4	Adjustment by knob and lock

Diagram: Pressure - Flow rate



Q = L / min

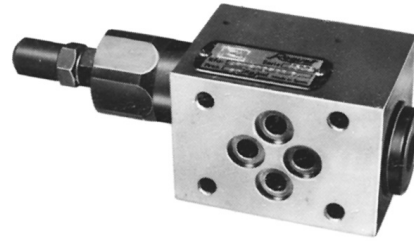


Mark	Part number	Description and parts	Mark	Part number	Description and parts
1A	7109500/B	Spare kit of valve type 2 (5-80 bar)	3A	7109502/B	Spare kit of valve type 4 (5-80 bar)
1B	7109500/D	Spare kit of valve type 2 (85-175 bar)	3B	7109502/D	Spare kit of valve type 4 (85-175 bar)
1C	7109500/F	Spare kit of valve type 2 (180-250 bar)	3C	7109502/F	Spare kit of valve type 4 (180-250 bar)
1D	7109500/G	Spare kit of valve type 2 (255-350 bar)	3D	7109502/G	Spare kit of valve type 4 (255-350 bar)
2A	7109501/B	Spare kit of valve type 3 (5-80 bar)	4A	714/8/1	Spring (5-80 bar)
2B	7109501/D	Spare kit of valve type 3 (85-175 bar)	4B	1670/23	Spring (85-175 bar)
2C	7109501/F	Spare kit of valve type 3 (180-250 bar)	4C	1670/24B	Spring (180-250 bar)
2D	7109501/G	Spare kit of valve type 3 (255-315 bar)	4D	1670/234	Spring (255-315 bar)

Accessories That need separate orders				
Sub-plate	RFE. 321001-321002-321031-321032			As per requirements
Top cover	RFE. 321012			
O'rings for individual mounting	4	O'rings	Ø 9,25 x 1,77	
Screws for fixing	4	Screws	M5 x 55 DIN.912	Torque 7-8 Nm.

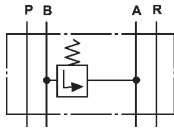
Hydraulic technical data

Max. working pressure	315 bar
Nominal flow	40 L./min.
Fluid recommended	ISO 6743 TYPE HM, HV or HG ISO 3448 Cat. VG32, VG46
Flow temperature range	-20°C...+80°C
Viscosity range	4 - 500 cST
Fluid cleanliness range	19/16 s/. ISO 4406 - RP70H or better
Weight	1,150 kg.

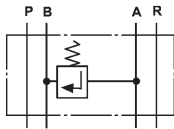


Type 4RLS

RFE. 4RLS02P2*/B



RFE. 4RLS02P2*/A

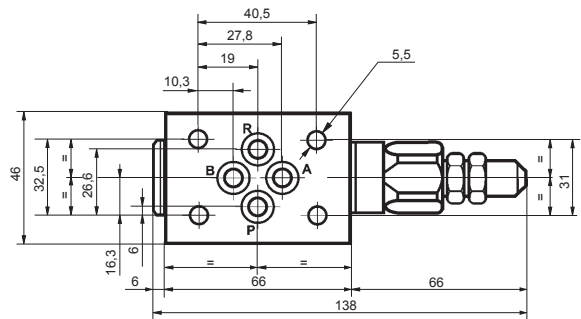
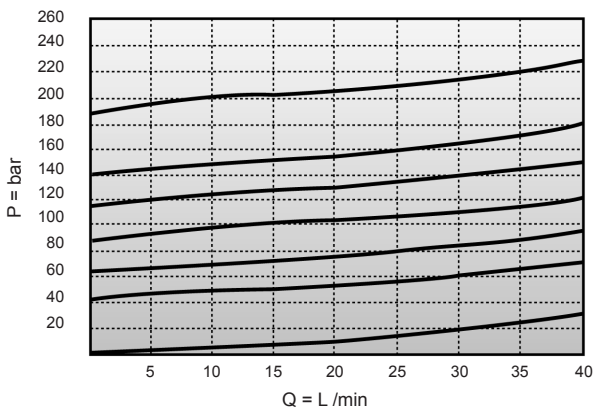


P	Pressure inlet port
A y B	Outlet ports to cylinders or motors
R	Return to tank

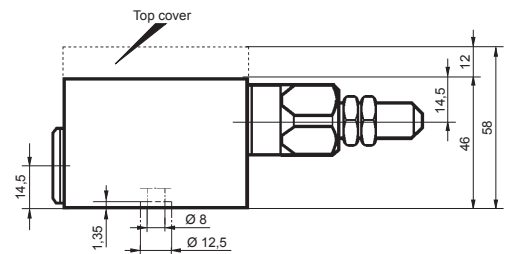
B	5-80 bar
D	85-175 bar
F	180-250 bar
G	255-315 bar

* The asterisk in the part number will be replaced by B - D - F or G according to setting pressure required.

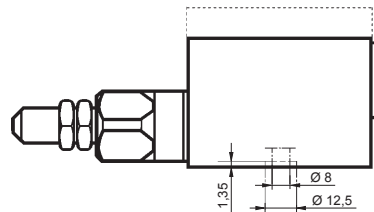
Diagram: Pressure - Flow rate

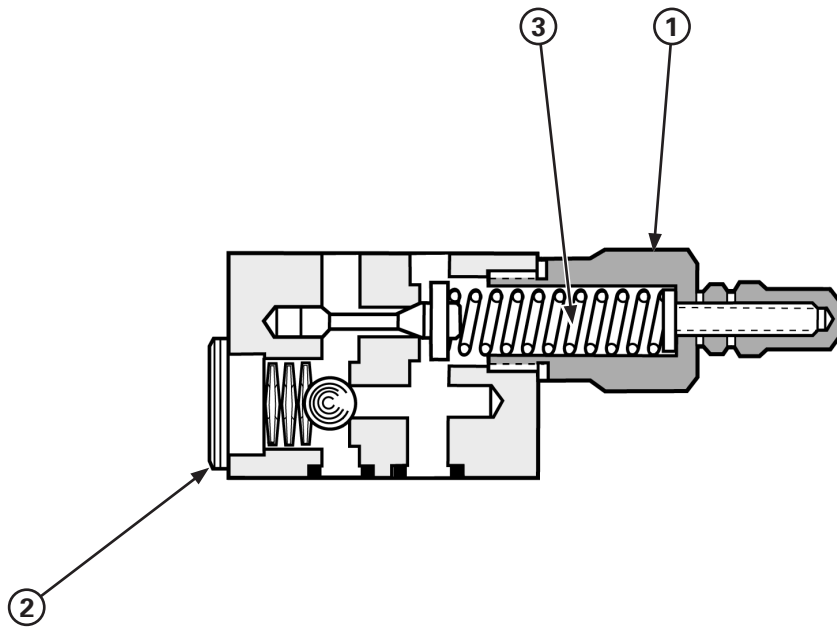


Outlet adjustment B



Outlet adjustment A



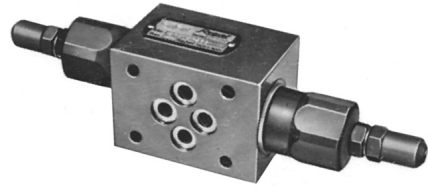


Mark	Part number	Description and parts	Mark	Part number	Description and parts
1A	7103500/B	Spare kit relief valve (5-80 bar)	2A	714/8/1	Spring (5-80 bar)
1B	7103500/D	Spare kit relief valve (85-175 bar)	2B	1670/23	Spring (85-175 bar)
1C	7103500/F	Spare kit relief valve (180-250 bar)	2C	1670/24B	Spring (180-250 bar)
1D	7103500/G	Spare kit relief valve (255-315 bar)	2D	1670/234	Spring (255-315 bar)
2A	7103501	Spare kit of check valve			

Accessories That need separate orders			
Sub-plate	RFE. 321001-321002-321031-321032		As per requirements
Top cover	RFE. 321012		
O'rings for individual mounting	4	O'rings	Ø 9,25x1,77
Screws for fixing	4	Screws	M5 x 55 Torque 7-8 Nm.

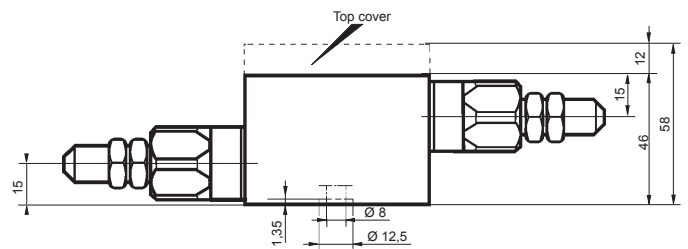
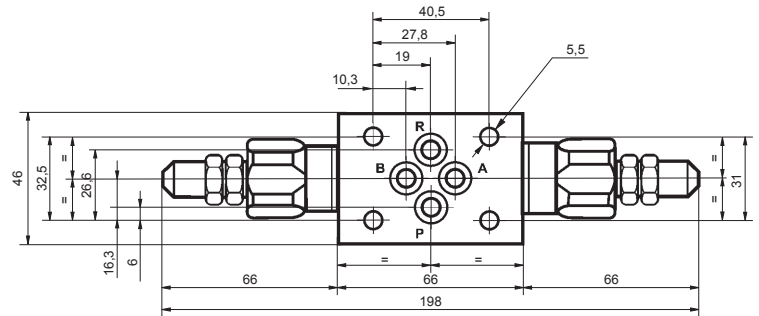
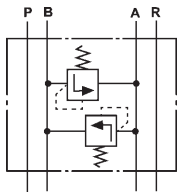
Hydraulic technical data

Max. working pressure	315 bar
Nominal flow	40 L./min.
Fluid recommended	ISO 6743 TYPE HM, HV or HG ISO 3448 Cat. VG32, VG46
Flow temperature range	-20°C...+80°C
Viscosity range	4 - 500 cST
Fluid cleanliness range	19/16 s/. ISO 4406 - RP70H or better
Weight	1,250 kg.



Type 4RLD

RFE. 4RLD02P2* / *

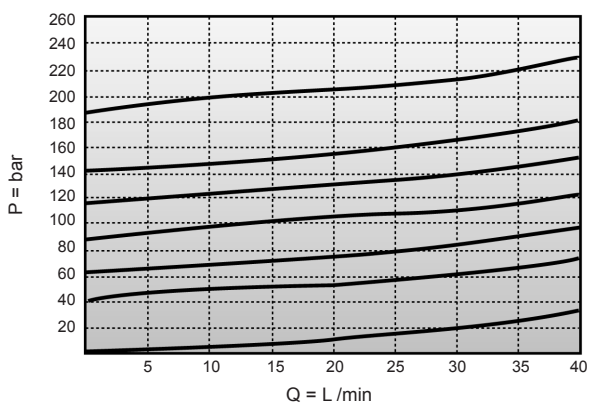


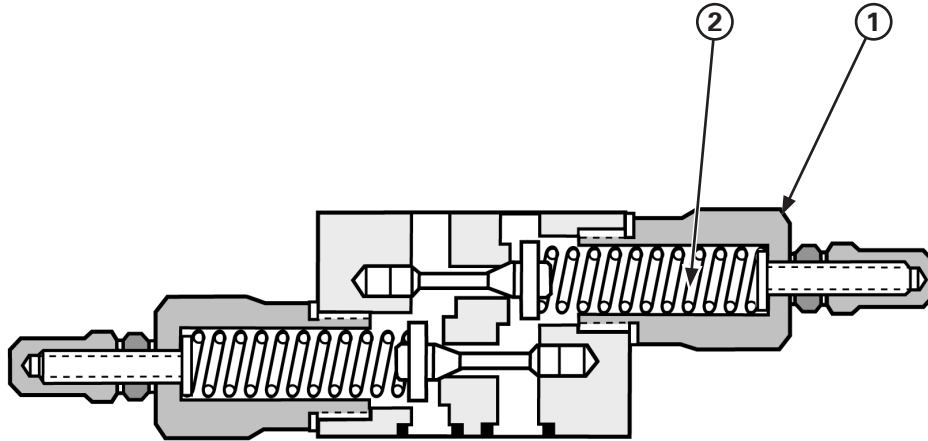
P	Pressure inlet port
A y B	Outlet ports to cylinders or motors
R	Return to tank

B	5-80 bar
D	85-175 bar
F	180-250 bar
G	255-315 bar

* The asterisk in the part number will be replaced by B - D - F or G according to setting pressure required.

Diagram: Pressure - Flow rate



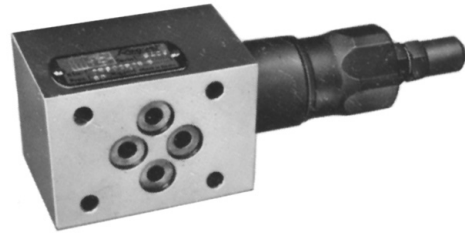


Mark	Part number	Description and parts	Mark	Part number	Description and parts
1A	7103500/B	Spare kit relief valve (5-80 bar)	2A	714/8/1	Spring (5-80 bar)
1B	7103500/D	Spare kit relief valve (80-175 bar)	2B	1670/23	Spring (85-175 bar)
1C	7103500/F	Spare kit relief valve (175-250 bar)	2C	1670/24B	Spring (180-250 bar)
1D	7103500/G	Spare kit relief valve (255-315 bar)	2D	1670/234	Spring (255-315 bar)

Accessories That need separate orders					
Sub-plate	RFE. 321001-321002-321031-321032			As per requirements	
Top cover	RFE. 321012				
O'rings for individual mounting	4	O'rings	Ø 9,25 x 1,77		
Screws for fixing	4	Screws	M5 x 60	DIN.912	Torque 7-8 Nm.

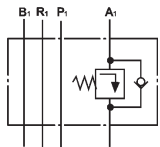
Hydraulic technical data

Max. working pressure	315 bar
Nominal flow	40 L./min.
Fluid recommended	ISO 6743 TYPE HM, HV or HG ISO 3448 Cat. VG32, VG46
Flow temperature range	-20°C...+80°C
Viscosity range	4 - 500 cST
Fluid cleanliness range	19/16 s/. ISO 4406 - RP70H or better
Weight	1,150 kg.

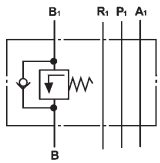


Type 4RS

RFE. 4RS02P ▲ * /A



RFE. 4RS02P ▲ * /B



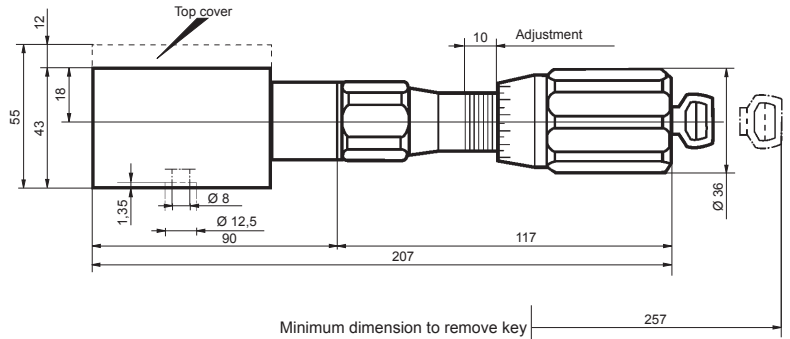
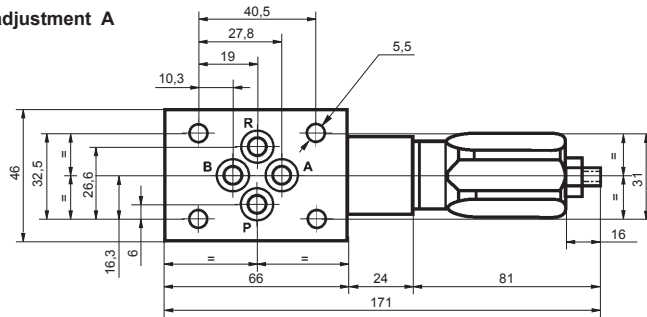
P	Pressure inlet port
A & B	Outlet ports to cylinders or motors
R	Return to tank
B	5-80 bar
D	85-175 bar
F	180-250 bar

* The asterisk in the part number will be replaced by B - D - F or G according to setting pressure required.

▲ In part number will be replaced by 2 - 3 - 4 according adjustment type

2	Adjustment by nut
3	Adjustment by knob
4	Adjustment by knob and lock

Outlet adjustment A



Outlet adjustment B

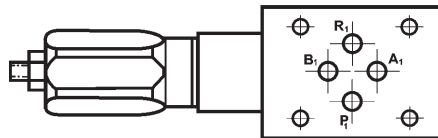
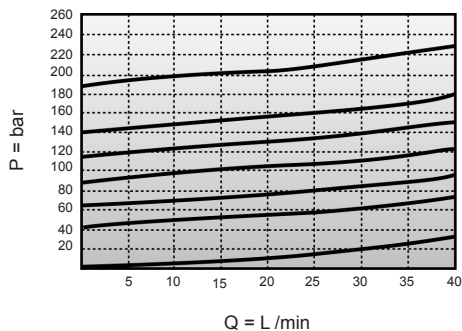
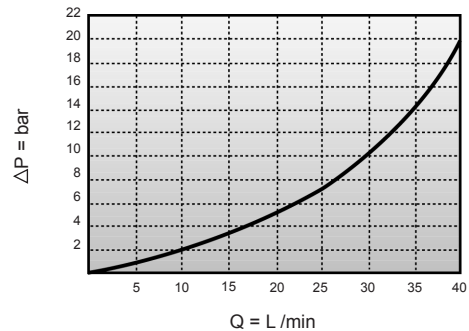
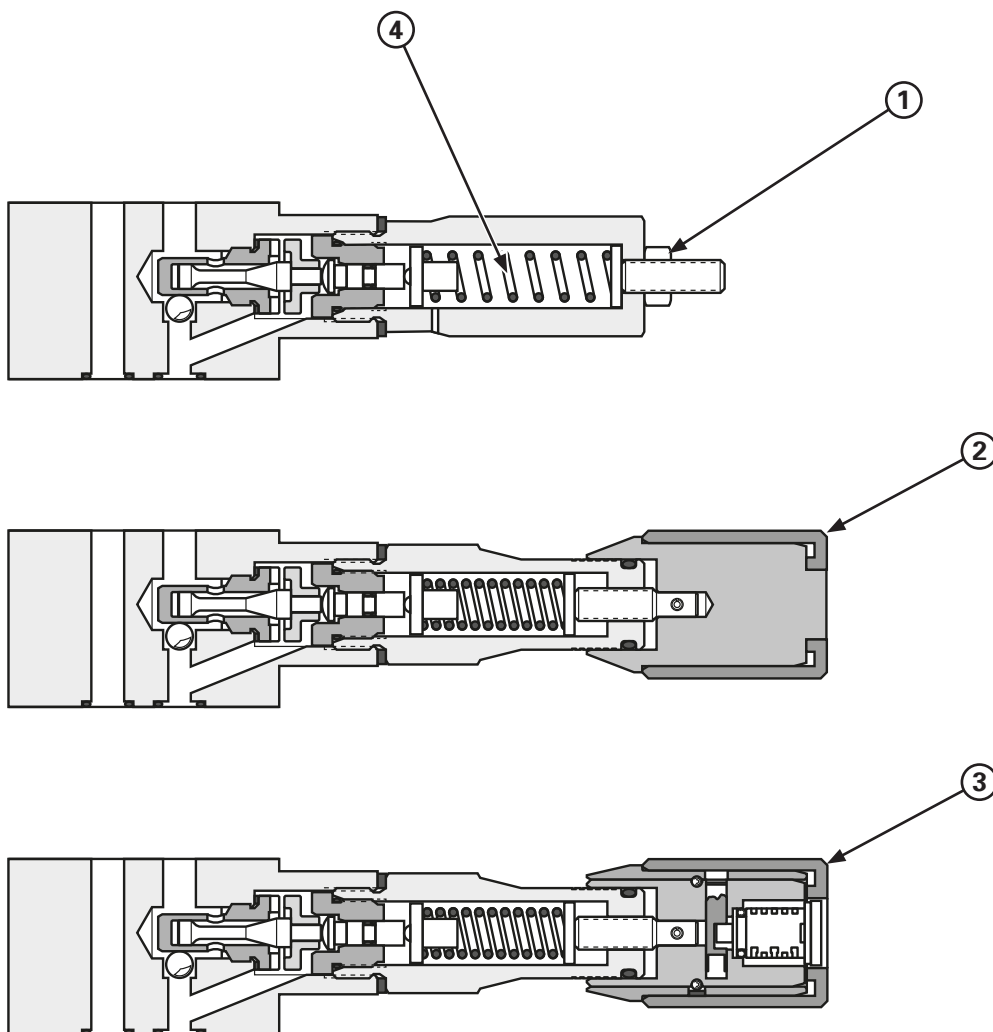


Diagram: Pressure - Flow rate



Δ p-Q to 23 cSt. Through check line



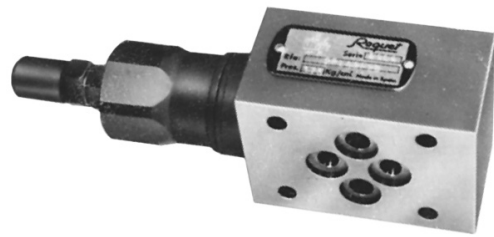


Mark	Part number	Description and parts	Mark	Part number	Description and parts
1A	7630500/B	Spare kit of valve type 2 (5-80 bar)	3A	7630502/B	Spare kit of valve type 4 (5-80 bar)
1B	7630500/D	Spare kit of valve type 2 (85-175 bar)	3B	7630502/D	Spare kit of valve type 4 (85-175 bar)
1C	7630500/F	Spare kit of valve type 2 (180-250 bar)	3C	7630502/F	Spare kit of valve type 4 (180-250 bar)
2A	7630501/B	Spare kit of valve type 3 (5-80 bar)	4A	714/8/1	Spring (5-80 bar)
2B	7630501/D	Spare kit of valve type 3 (85-175 bar)	4B	1670/23	Spring (85-175 bar)
2C	7630501/F	Spare kit of valve type 3 (180-250 bar)	4C	1670/24B	Spring (180-250 bar)

Accessories That need separate orders					
Sub-plate	RFE. 321001-321002-321031-321032			As per requirements	
Top cover	RFE. 321012				
O'rings for individual mounting	4	O'rings	Ø 9,25 x 1,77		
Screws for fixing	4	Screws	M5x60 DIN.912	Torque 7-8 Nm.	

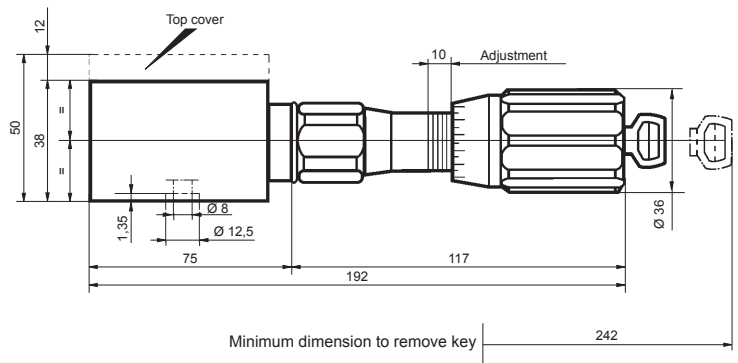
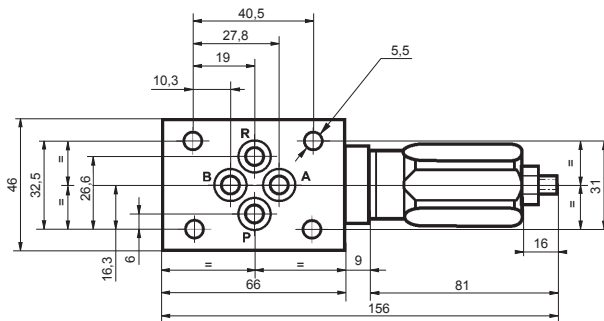
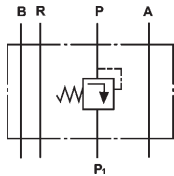
Hydraulic technical data

Max. working pressure	315 bar
Nominal flow	40 L./min.
Fluid recommended	ISO 6743 TYPE HM, HV or HG ISO 3448 Cat. VG32, VG46
Flow temperature range	-20°C...+80°C
Viscosity range	4 - 500 cST
Fluid cleanliness range	19/16 s/. ISO 4406 - RP70H or better
Weight	1,150 kg.



Type 4RS

RFE. 4RS02P ▲ */P



P	Pressure inlet port
A y B	Outlet ports to cylinders or motors
R	Return to tank

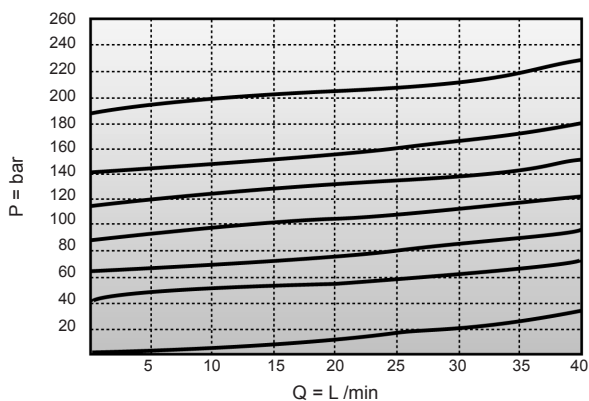
B	5-80 bar
D	85-175 bar
F	180-250 bar

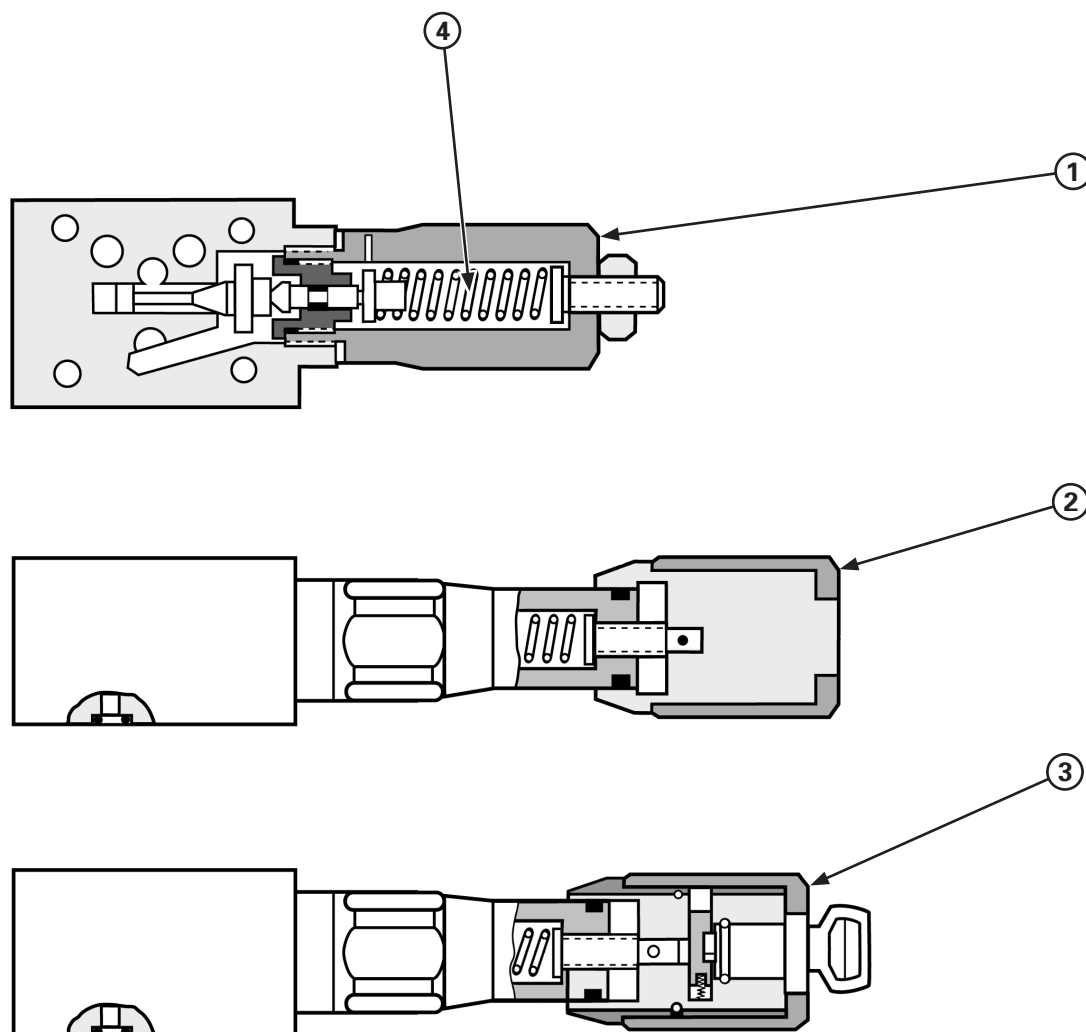
* The asterisk in the part number will be replaced by B - D - F or G according to setting pressure required.

▲ In part number will be replaced by 2 - 3 - 4 according adjustment type

2	Adjustment by nut
3	Adjustment by knob
4	Adjustment by knob and lock

Diagram: Pressure - Flow rate

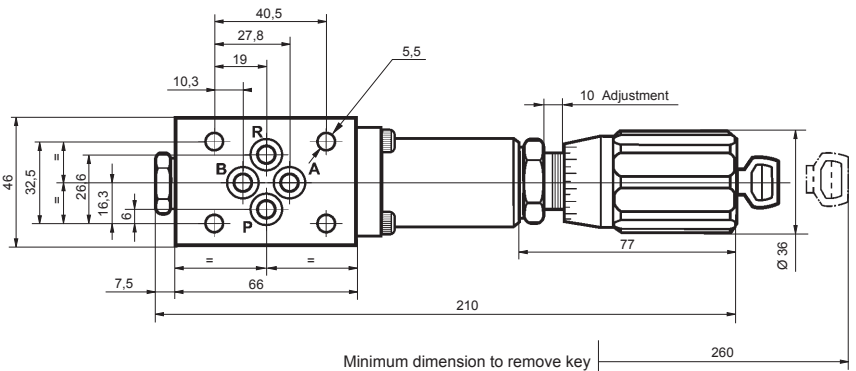
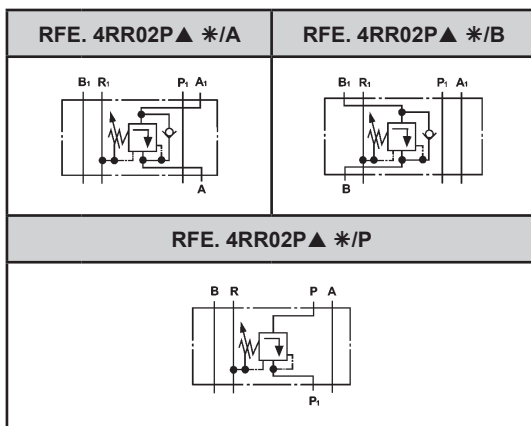




Mark	Part number	Description and parts	Mark	Part number	Description and parts
1A	7629500/B	Spare kit of valve type 2 (5-80 bar)	3A	7629502/B	Spare kit of valve type 4 (5-80 bar)
1B	7629500/D	Spare kit of valve type 2 (85-175 bar)	3B	7629502/D	Spare kit of valve type 4 (85-175 bar)
1C	7629500/F	Spare kit of valve type 2 (180-250 bar)	3C	7629502/F	Spare kit of valve type 4 (180-250 bar)
2A	7629501/B	Spare kit of valve type 3 (5-80 bar)	4A	714/8/1	Spring (5-80 bar)
2B	7629501/D	Spare kit of valve type 3 (85-175 bar)	4B	1670/23	Spring (85-175 bar)
2C	7629501/F	Spare kit of valve type 3 (180-250 bar)	4C	1670/24B	Spring (180-250 bar)

Accessories That need separate orders				
Sub-plate	RFE. 321001-321002-321031-321032			As per requirements
Top cover	RFE. 321012			
O'rings for individual mounting	4	O'rings	Ø 9,25 x 1,77	
Screws for fixing	4	Screws	M5 x 60 DIN.912	Torque 7-8 Nm.

Hydraulic technical data	
Max. working pressure	315 bar
Nominal flow	30 L./min.
Min. setting pressure with flow rate of 20L/min.	7 bar
Fluid recommended	ISO 6743 TYPE HM, HV or HG ISO 3448 Cat. VG32, VG46
Flow temperature range	-20°C...+80°C
Viscosity range	4 - 500 cST
Fluid cleanliness range	19/16 s/. ISO 4406 - RP70H or better
Weight	1,4 kg.



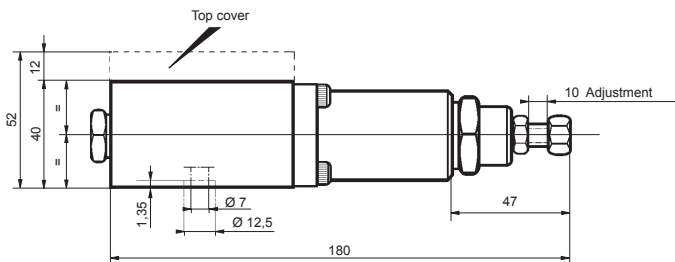
P	Pressure inlet port
A & B	Outlet ports to cylinders or motors
R	Return to tank

B	5-80 bar
D	85-175 bar
F	180-250 bar

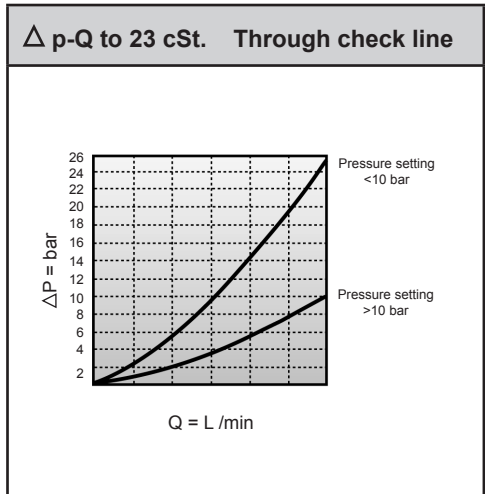
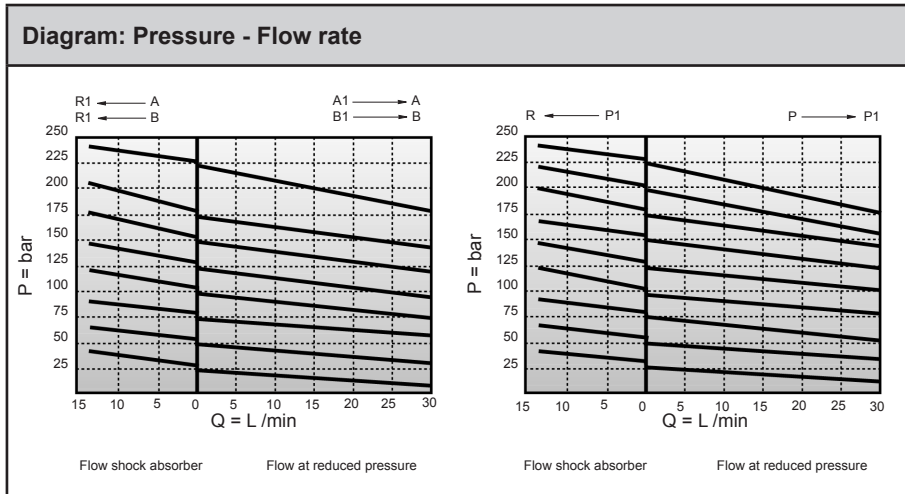
* The asterisk in the part number will be replaced by B - D - F or G according to setting pressure required.

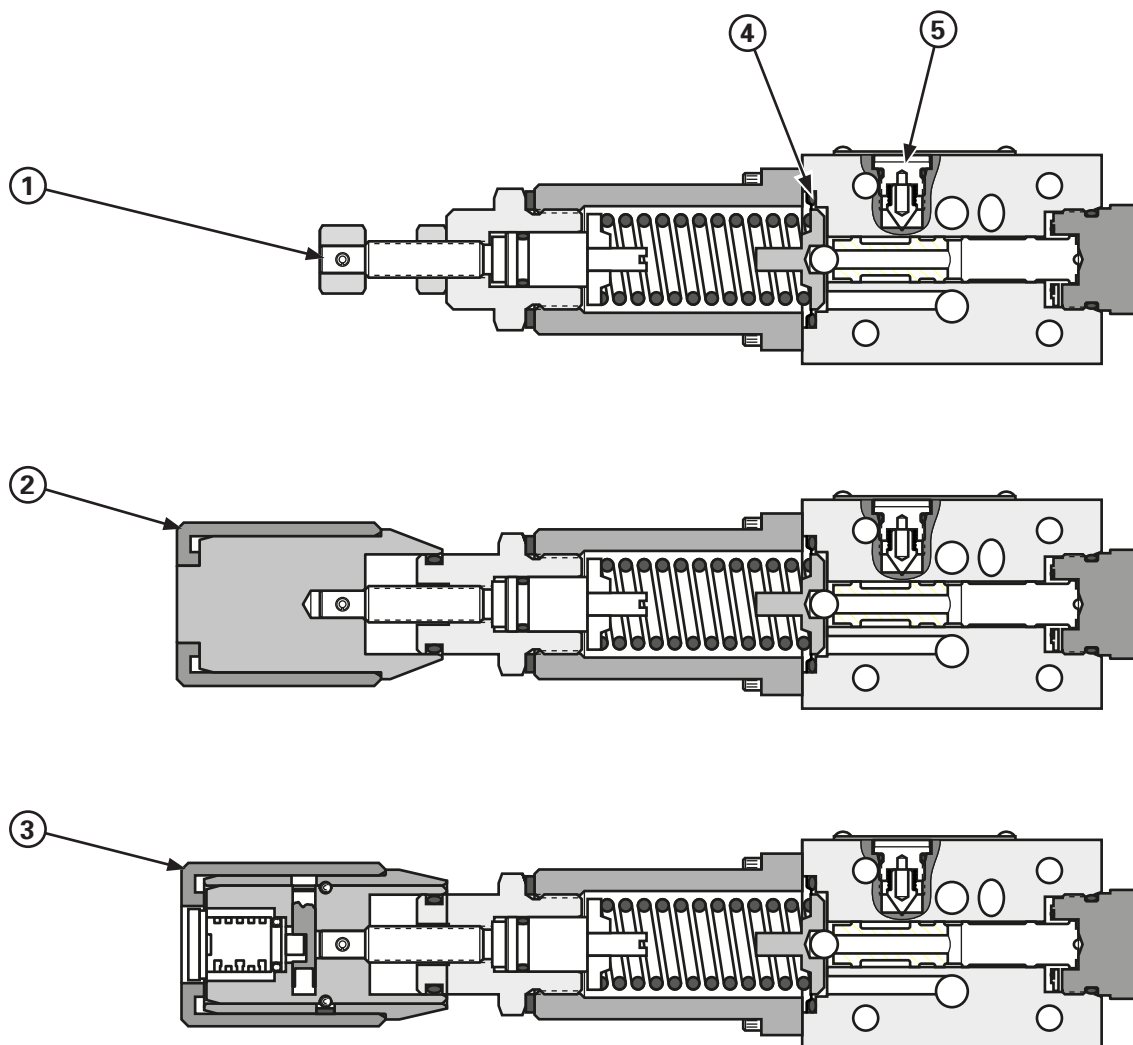
▲ In part number will be replaced by 2 - 3 - 4 according adjustment type

2	Adjustment by nut
3	Adjustment by knob
4	Adjustment by knob and lock



Top cover RFA. 321013 for individual assembly, can only be used on valve RFA. 4RP02P▲*/P. In this case, «P» is pressure line «B» is reduced pressure, and «A» or «R» drain.
Valves RFE: 4RR02P▲*/A and 4RR02P▲*/B cannot be used for individual assembly.





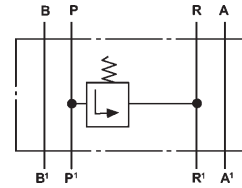
NOTE: For pressure setting «B» range spring No.7 will be assembled
 For pressure setting «D» range springs Nos. 7-8 will be assembled
 For pressure setting «F» range springs Nos. 7-9 will be assembled

Mark	Part number	Description and parts	Mark	Part number	Description and parts
1A	7127500/A	Spare kit of valve type 2 (5-30 bar)	2D	7127501/F	Spare kit of valve type 3 (180-250 bar)
1B	7127500/B	Spare kit of valve type 2 (30-80 bar)	3A	7127502/A	Spare kit of valve type 4 (5-30 bar)
1C	7127500/D	Spare kit of valve type 2 (85-175 bar)	3B	7127502/B	Spare kit of valve type 4 (30-80 bar)
1D	7127500/F	Spare kit of valve type 2 (180-250 bar)	3C	7127502/D	Spare kit of valve type 4 (85-175 bar)
2A	7127501/A	Spare kit of valve type 3 (5-30 bar)	3D	7127502/F	Spare kit of valve type 4 (180-250 bar)
2B	7127501/B	Spare kit of valve type 3 (30-80 bar)	4A	N7127/35	Spare kit of seals
2C	7127501/D	Spare kit of valve type 3 (85-175 bar)	5A	7127503	Spare kit of anticavitation valve

Accessories That need separate orders				
Sub-plate	RFE. 321001-321002-321031-321032			As per requirements
Top cover	RFE. 321012			
O'rings for individual mounting	4	O'rings	Ø 9,25 x 1,77	
Screws for fixing	4	Screws	M5 x 60 DIN.912	Torque 7-8 Nm.

Hydraulic technical data

Max. working pressure	315 bar
Nominal flow	80 L./min.
Fluid recommended	ISO 6743 TYPE HM, HV or HG ISO 3448 Cat. VG32, VG46
Flow temperature range	-20°C...+80°C
Viscosity range	4 - 500 cST
Fluid cleanliness range	19/16 s/. ISO 4406 - RP70H or better
Weight	2 kg.



PART NUMBER

5 RL	M	02	P	2	F	/	3
------	---	----	---	---	---	---	---

1

2

3

4

1 Forms position

M	A - B	Rear
L	A - B	Side
Q	A - B	Rear + Side

3 Size

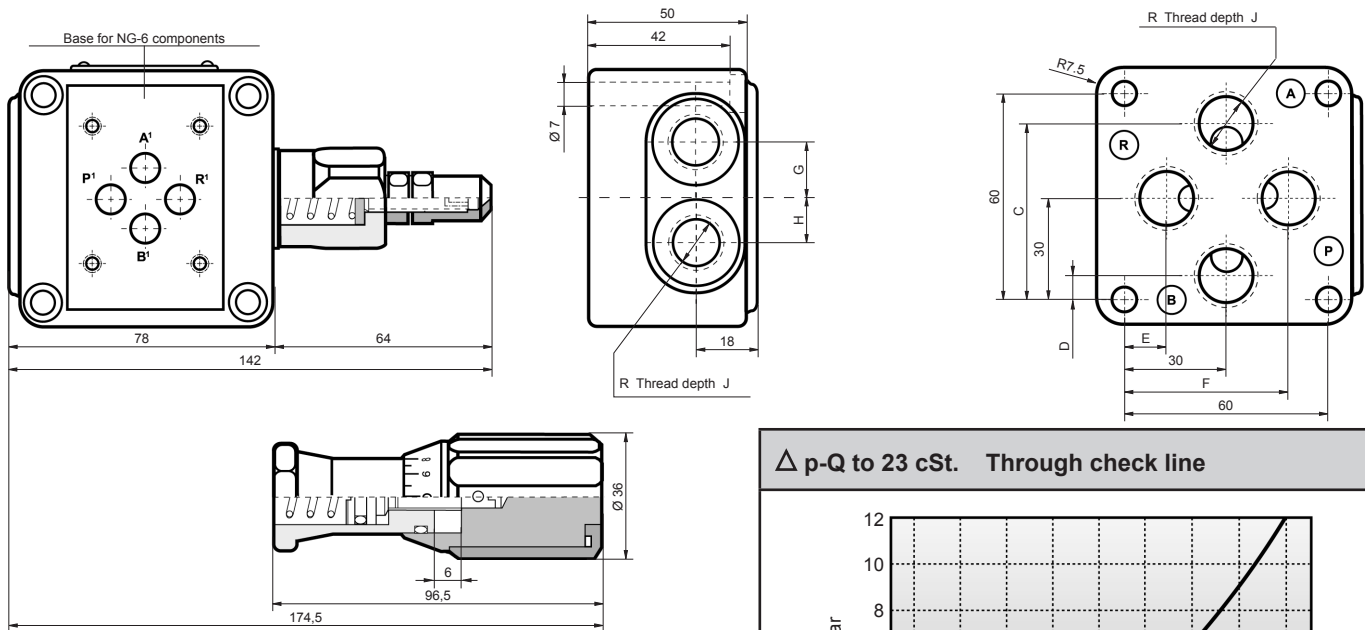
02	1/4"
03	1/8"

2 Adjustment type

2	Setting by nut
3	Setting by knob

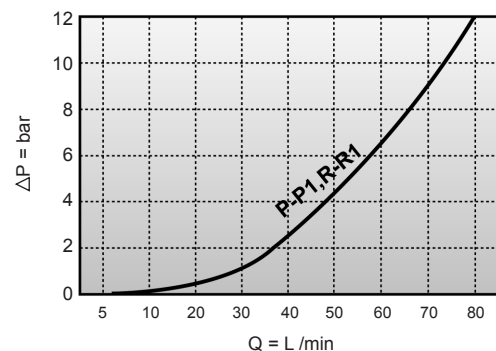
4 Pressure setting

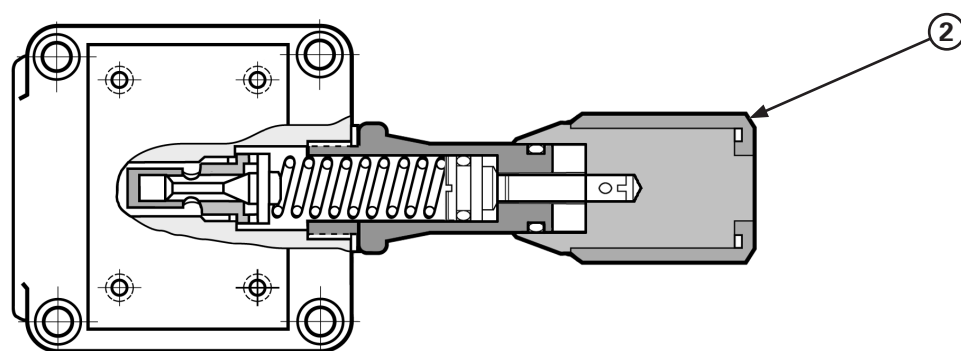
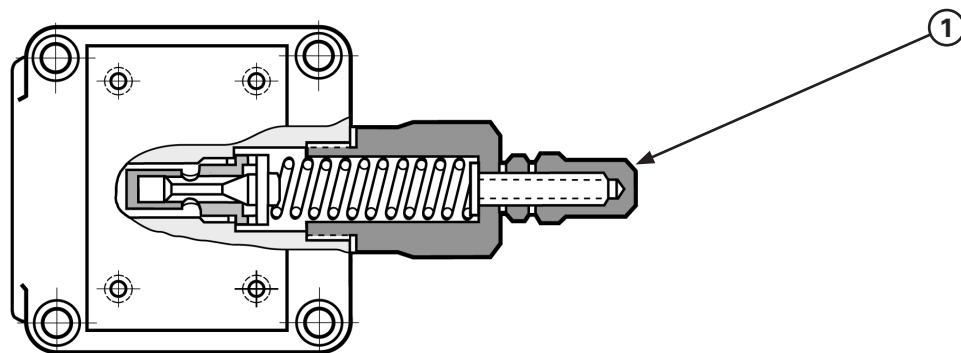
B	5 - 80 bar
D	85 - 175 bar
F	180 - 250 bar
G	255 - 315 bar



PART N°	R (G.)	C	D	E	F	G	H	J
5RL*02P*▲ /02	1/4"	52	8	11	49	14	12	13
5RL*02P*▲ /03	3/8"	52,75	7,25	12	48	15,5	13	13

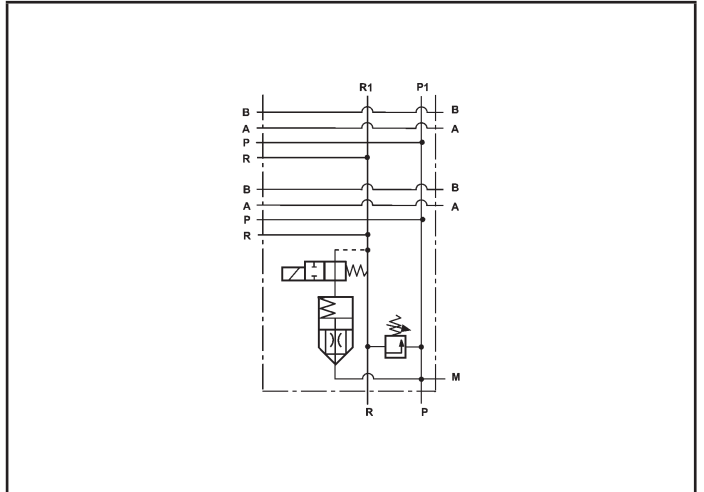
Δ p-Q to 23 cSt. Through check line





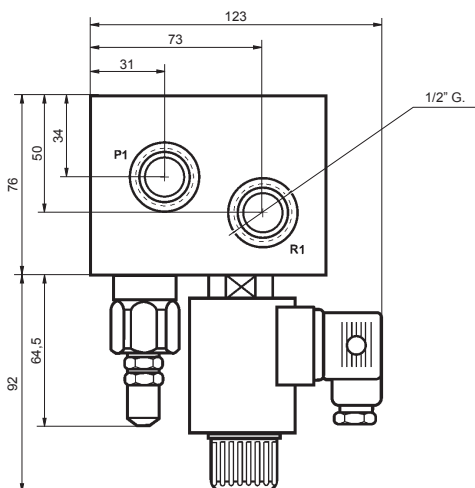
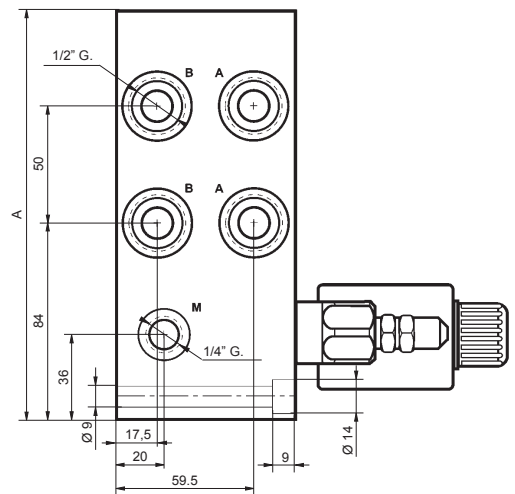
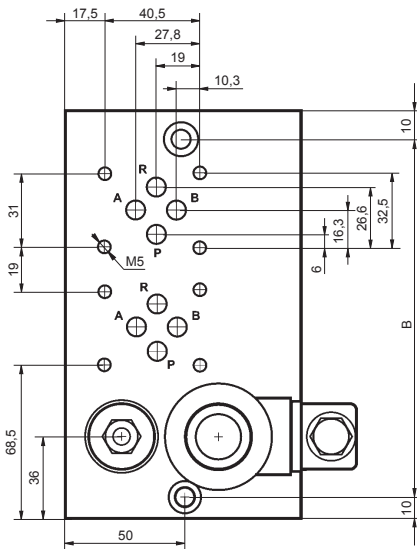
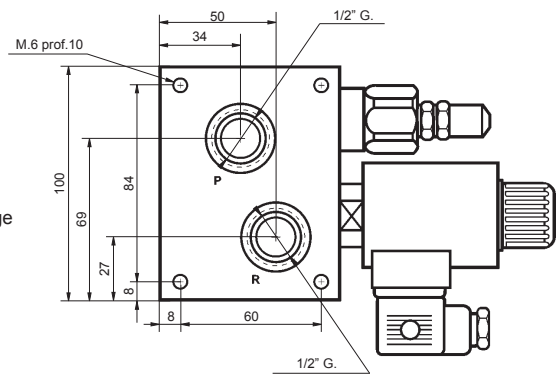
Mark	Part number	Description and parts	Mark	Part number	Description and parts
1A	2249011	Spare kit of releif valve type 1 (5-80 bar)	2A	2249021	Spare kit of releif valve type 3 (5-80 bar)
1B	2249012	Spare kit of releif valve type 1 (85-175 bar)	2B	2249022	Spare kit of releif valve type 3 (85-175 bar)
1C	2249013	Spare kit of releif valve type 1 (180-250 bar)	2C	2249023	Spare kit of releif valve type 3 (180-250 bar)
1D	2249014	Spare kit of releif valve type 1 (255-315 bar)	2D	2249024	Spare kit of releif valve type 3 (255-315 bar)

Hydraulic technical data	
Max. working pressure	315 bar
Max. return line pressure	8 bar
Nominal flow	50 L./min.
Fluid recommended	ISO 6743 TYPE HM, HV or HG ISO 3448 Cat. VG32, VG46
Flow temperature range	-20°C...+80°C
Viscosity range	4 - 500 cST
Fluid cleanliness range	19/16 s/. ISO 4406 - RP70H or better

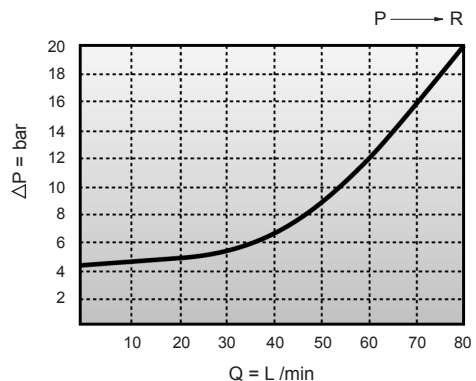


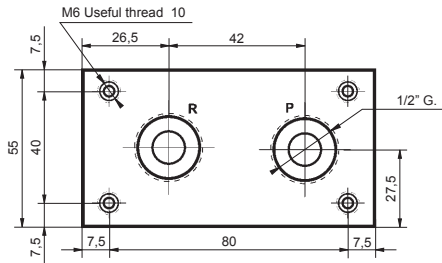
Part number	Num. Elements	A	B
1B1LV02 - ●/■	1	125	105
1B2LV02 - ●/■	2	175	155
1B3LV02 - ●/■	3	225	205
1B4LV02 - ●/■	4	275	255
1B5LV02 - ●/■	5	325	305
1B6LV02 - ●/■	6	375	355

- Replace with pressure
 - 00 = without valve
 - 11 = 5 - 80 bar
 - 12 = 80 - 175 bar
 - 13 = 175 - 250 bar
 - 14 = 180-315 bar
- Replace with solenoid's voltage
 - 12 = 12V D.C.
 - 24 = 24V D.C.

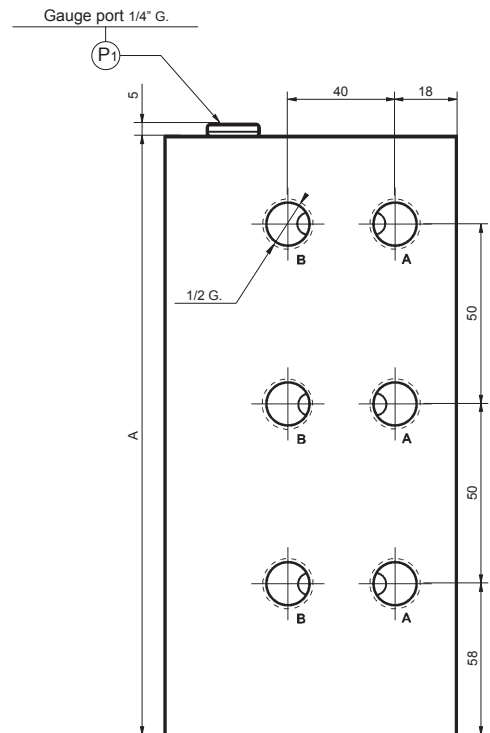
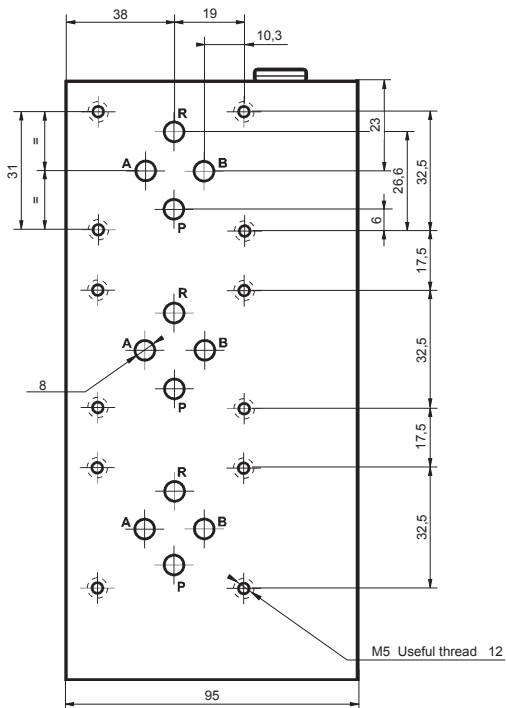


Curves for by-pass valve



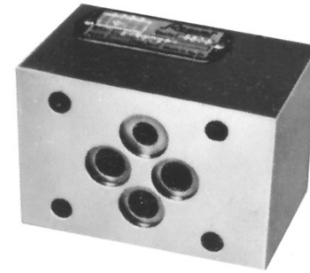


Part number	Num. Elements	A
9869012	2	130
9869013	3	180
9869014	4	230
9869015	5	280
9869016	6	330



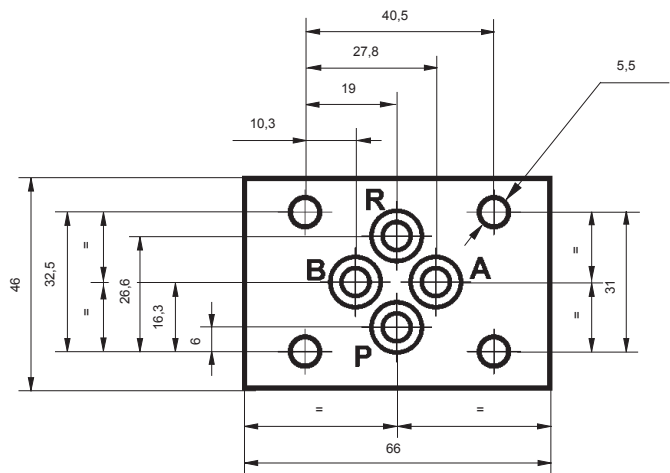
Hydraulic technical data

Max. working pressure	315 bar
Nominal flow	40 L./min.
Fluid recommended	ISO 6743 TYPE HM, HV or HG ISO 3448 Cat. VG32, VG46
Flow temperature range	-20°C...+80°C
Viscosity range	4 - 500 cST
Fluid cleanliness range	19/16 s/. ISO 4406 - RP70H or better
Weight	0,75 kg.



Type 4VRS

RFE. 4VRS02P *



NOTE:

The reference asterisk will be replaced by number «1» for opening pressure 0,5-1 bar and by number «2» for 2-3 bar.

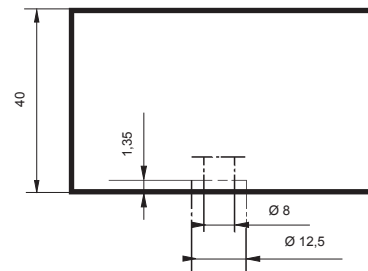
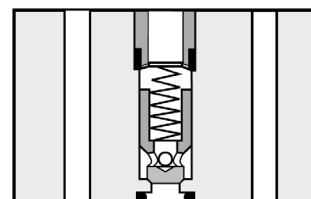
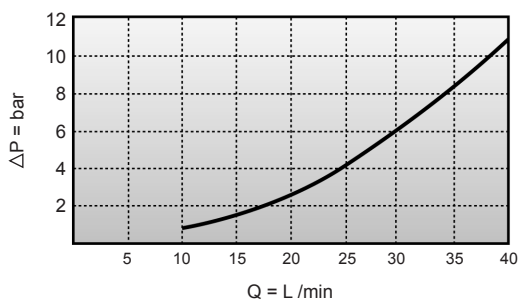
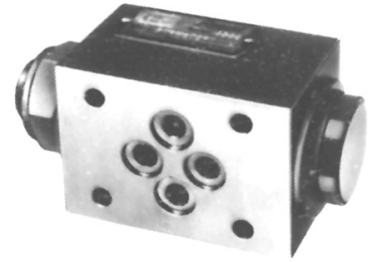


Diagram: Pressure - Flow rate



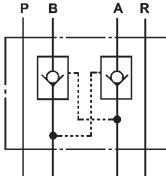
Hydraulic technical data

Max. working pressure	315 bar
Nominal flow	40 L./min.
Decompression range	1:2,9
Fluid recommended	ISO 6743 TYPE HM, HV or HG ISO 3448 Cat. VG32, VG46
Flow temperature range	-20°C...+80°C
Viscosity range	4 - 500 cST
Fluid cleanliness range	19/16 s/. ISO 4406 - RP70H or better
Weight	0,85 kg.

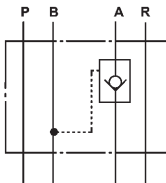


Type 4VRH

4VRHD02P1



RFE. 4VRHS02P1



P	Pressure inlet port
A & B	Outlet ports to cylinders or motors
R	Return to tank

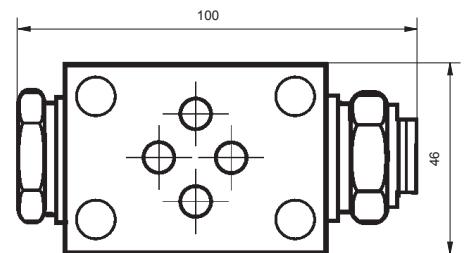
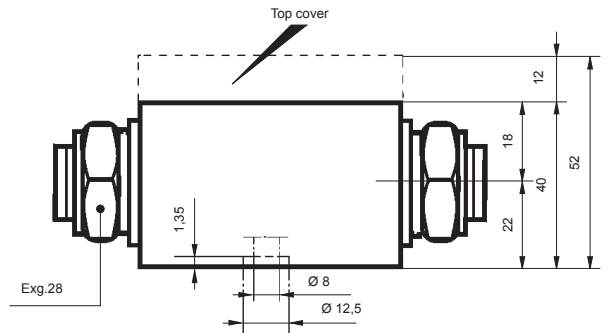
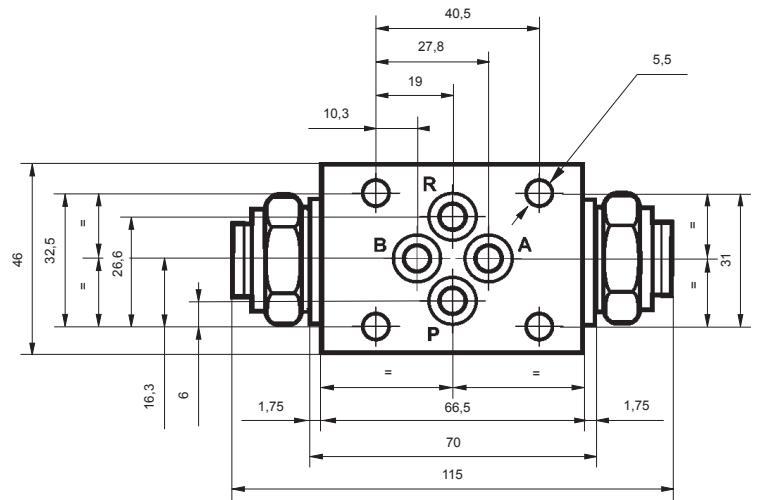
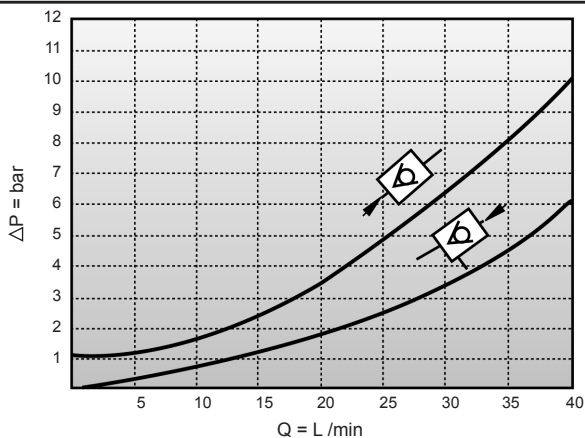
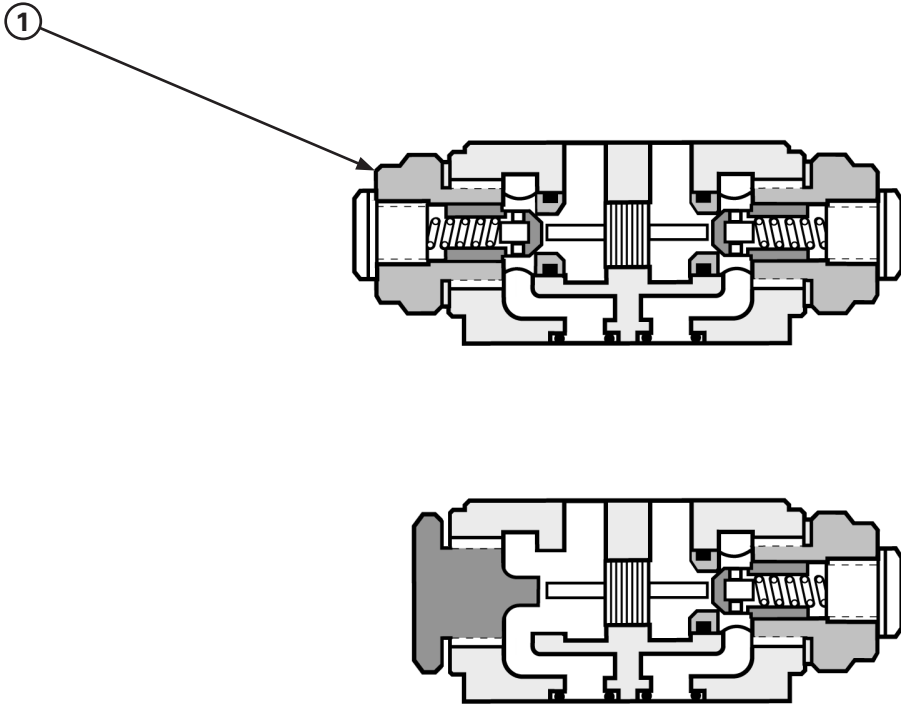


Diagram: Δp -Q to 23 cSt.





Mark	Part number	Description and parts
1A	7084500	Spare kit of valve

Accessories That need separate orders				
Sub-plate	RFE. 321001-321002-321031-321032			As per requirements
Top cover	RFE. 321012			
O'rings for individual mounting	4	O'rings	Ø 9,25 x 1,77	
Screws for fixing	4	Screws	M5 x 55 DIN.912	Torque 7-8 Nm.

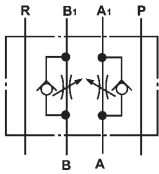
Hydraulic technical data

Max. working pressure	315 bar
Nominal flow	20 L./min.
Fluid recommended	ISO 6743 TYPE HM, HV or HG ISO 3448 Cat. VG32, VG46
Flow temperature range	-20°C...+80°C
Viscosity range	4 - 500 cST
Fluid cleanliness range	19/16 s/. ISO 4406 - RP70H or better
Weight	0,85 kg.



Type 2EGD

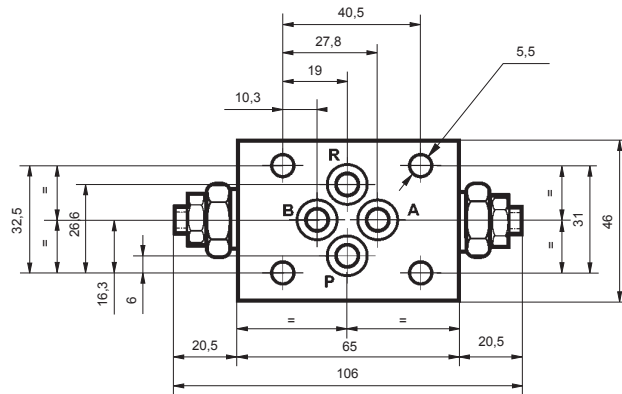
RFE: 2EGD02P2 / 2EGD02P1



P	Pressure inlet port
A & B	Outlet ports to cylinders or motors
R	Return to tank

▲ In part number will be replaced by 1 - 2 according adjustment type	
2	Adjustment by nut
3	Adjustment by knob
4	Adjustment by knob and lock

RFE: 2EGD02P2



RFE: 2EGD02P1

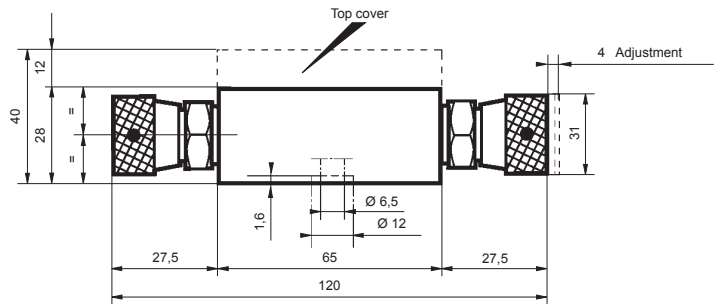


Diagram: Δp -Q to 23 cSt.

Sense A1 - A, B1 - B with closed throttle valve.

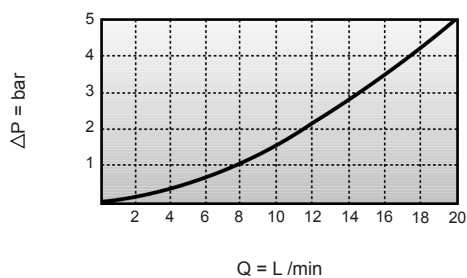
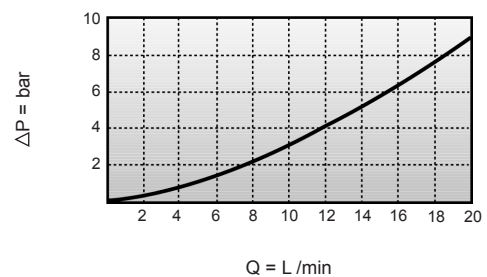
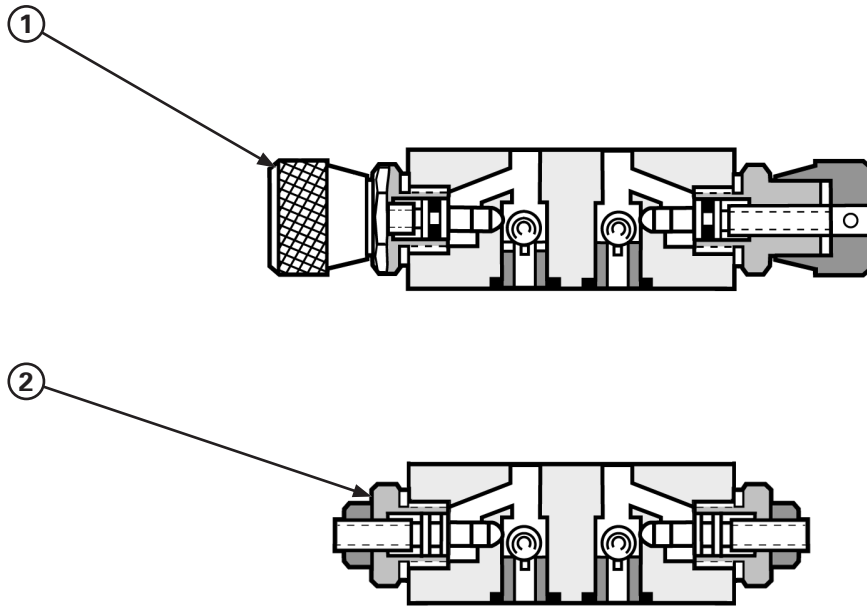


Diagram: Δp -Q to 23 cSt.

Sense A - A1, B - B1 with throttle valve max. opened.

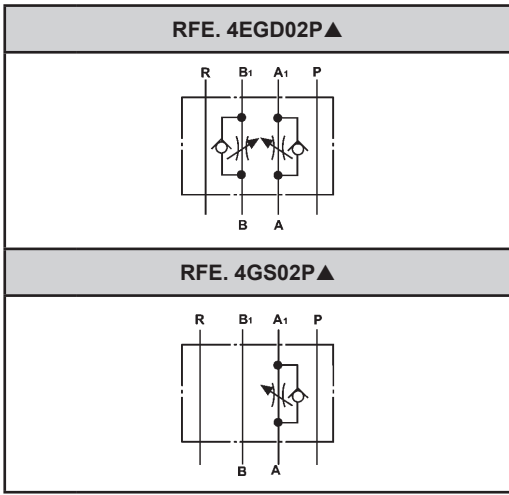
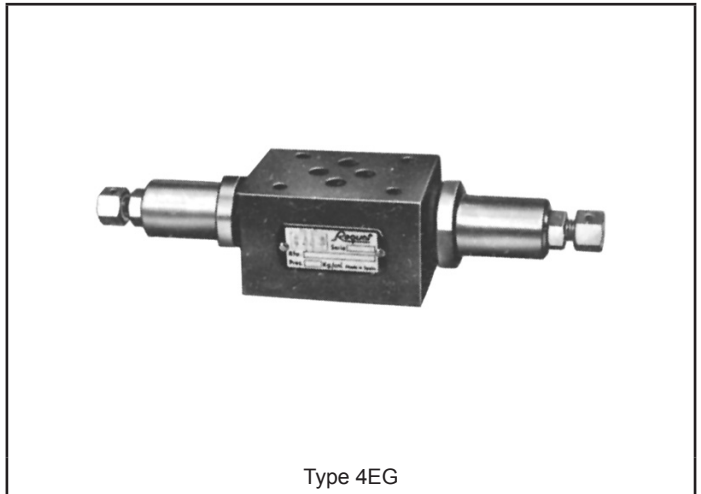




Mark	Part number	Description and parts
1A	4319500	Spare kit of restrictor. Adjustable type 1.
2A	4320500	Spare kit of restrictor. Adjustable type 2.

Accessories That need separate orders				
Sub-plate	RFE. 321001-321002-321031-321032			As per requirements
Top cover	RFE. 321012			
O'rings for individual mounting	4	O'rings	Ø 17 x 2	
Screws for fixing	4	Screws	M5 x 45 DIN.912	Torque 7-8 Nm.

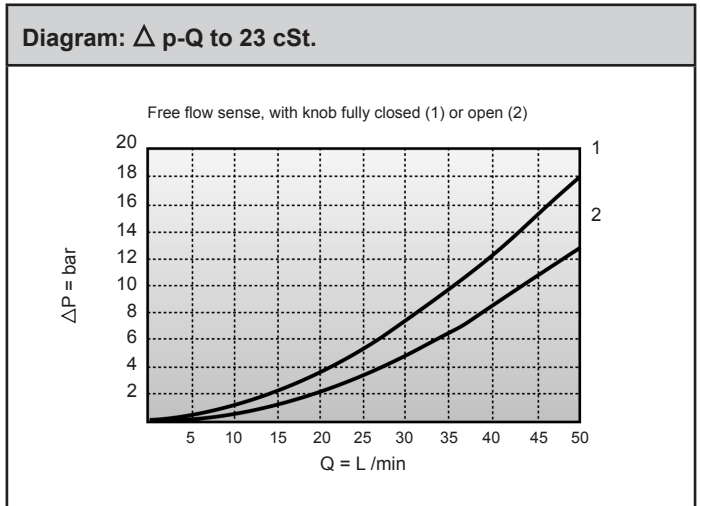
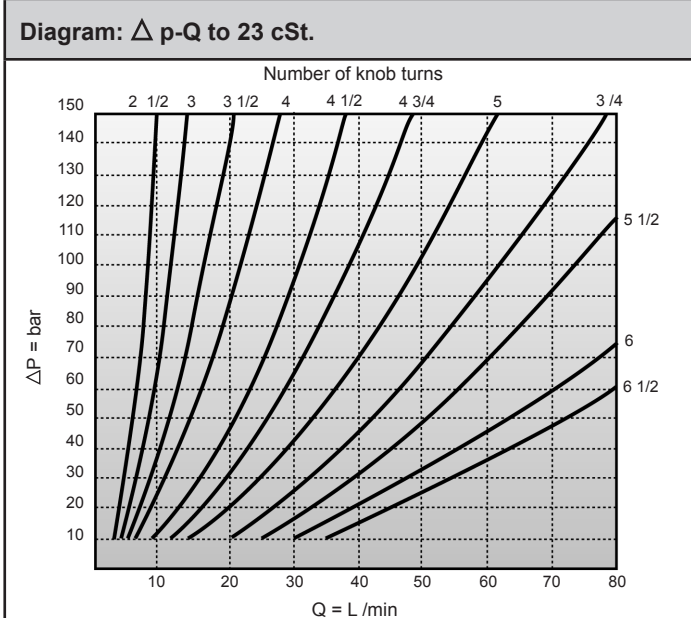
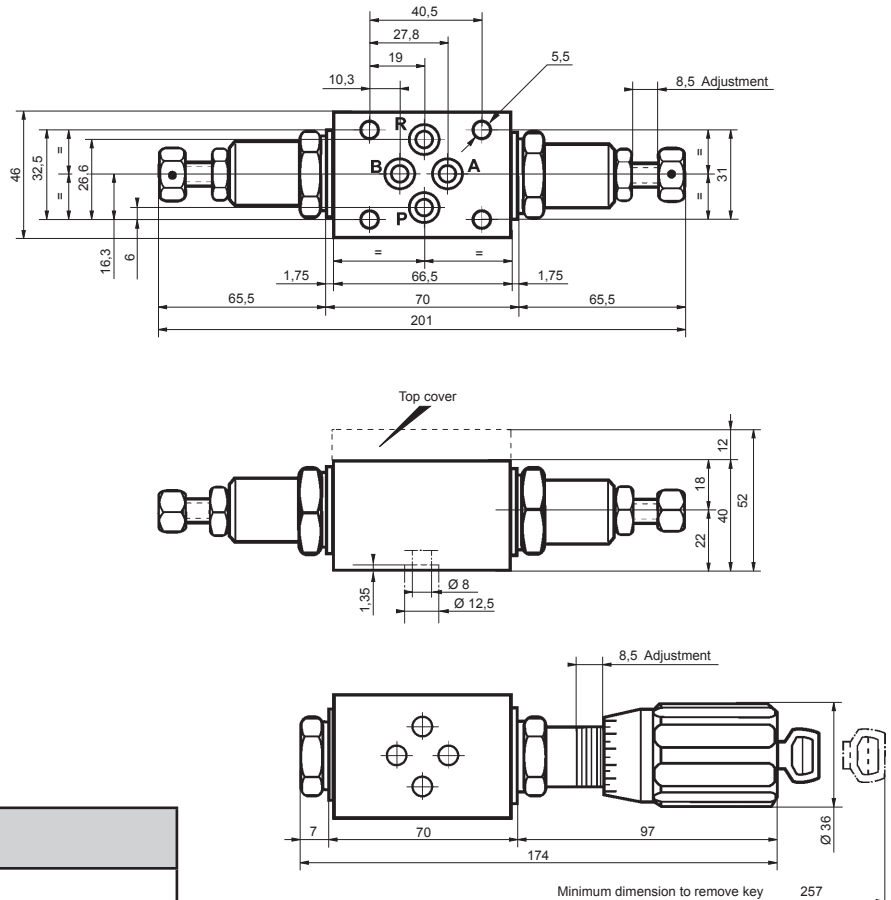
Hydraulic technical data	
Max. working pressure	315 bar
Nominal flow	60 L./min.
Min. controlled flow	≅ 600 cm ³ /min.
Fluid recommended	ISO 6743 TYPE HM, HV or HG ISO 3448 Cat. VG32, VG46
Flow temperature range	-20°C...+80°C
Viscosity range	4 - 500 cST
Fluid cleanliness range	19/16 s/. ISO 4406 - RP70H or better
Weight	1,350 kg.

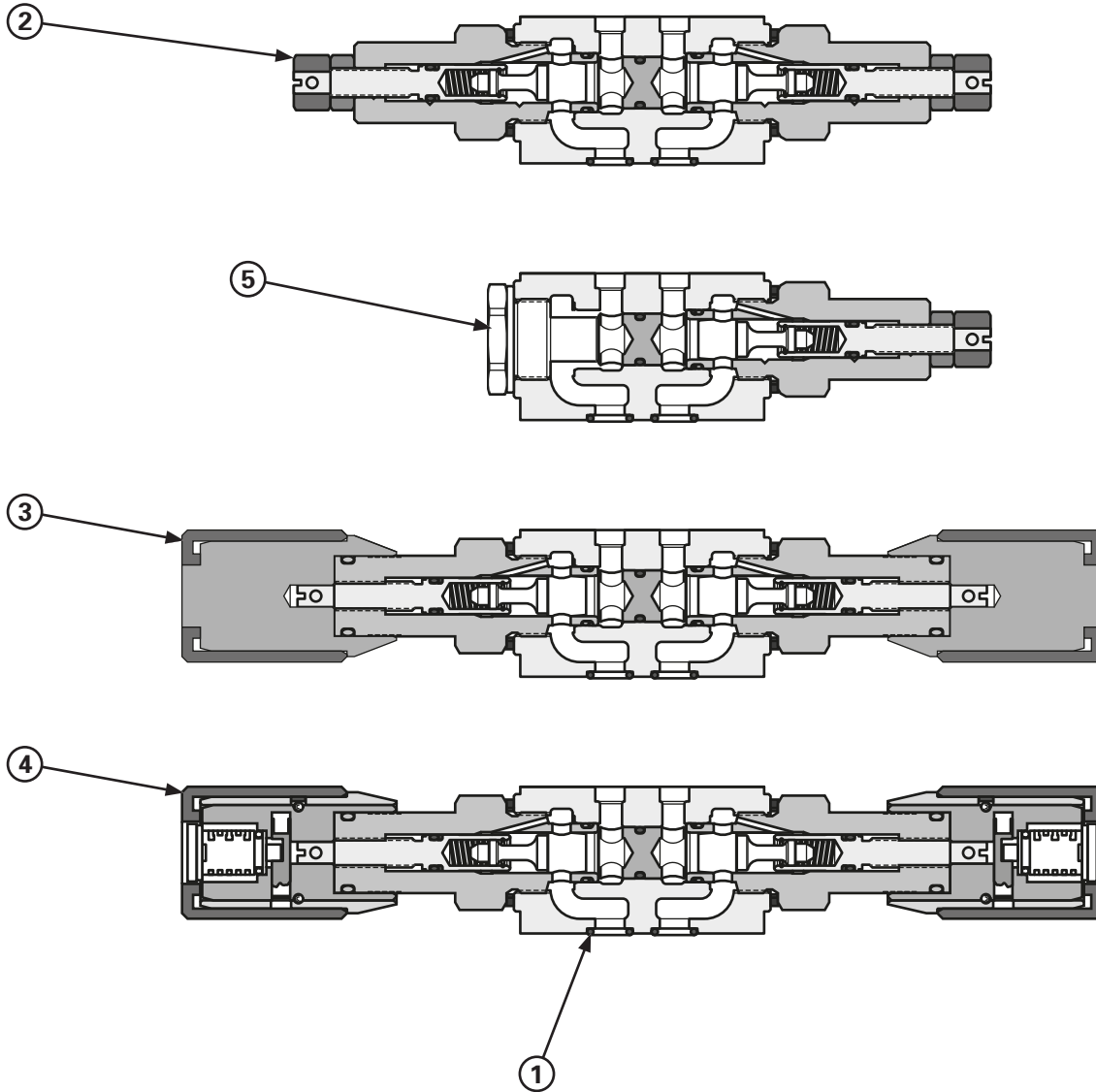


P	Pressure inlet port
A & B	Outlet ports to cylinders or motors
R	Return to tank

▲ In part number will be replaced by 2 - 3 - 4 according adjustment type

2	Adjustment by nut
3	Adjustment by knob
4	Adjustment by knob and lock

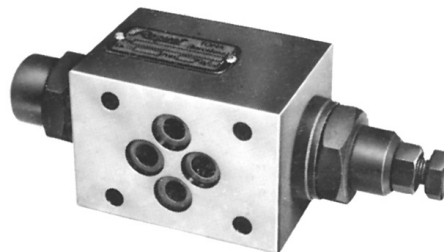




Mark	Part number	Description and parts
1A	N7118/24	Spare kit of seals
2A	7118500	Spare kit of adjustment type 2
3A	7118501	Spare kit of adjustment type 3
4A	7118502	Spare kit of adjustment type 4
5A	7118503	Spare kit of plug

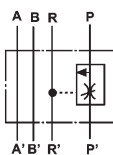
Accessories That need separate orders				
Sub-plate	RFE. 321001-321002-321031-321032			As per requirements
Top cover	RFE. 321012			
O'rings for individual mounting	2	O'rings	Ø 17 x 2	
Screws for fixing	4	Screws	M5 x 55 DIN.912	Torque 7-8 Nm.

Hydraulic technical data	
Max. working pressure	315 bar
Nominal flow	60 L./min.
Min. adjustment differential pressure	6 - 8 bar
Pressure drop P → R with closed adjustment and 20 lts. inlet flow	8 bar
Min. adjustable flow rate.	0,1 L/min.
Fluid recommended	ISO 6743 TYPE HM, HV or HG ISO 3448 Cat. VG32, VG46
Flow temperature range	-20°C...+80°C
Viscosity range	4 - 500 cST
Fluid cleanliness range	19/16 s/. ISO 4406 - RP70H or better
Weight	1,1 kg.

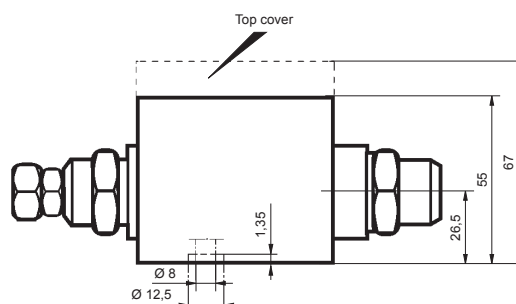
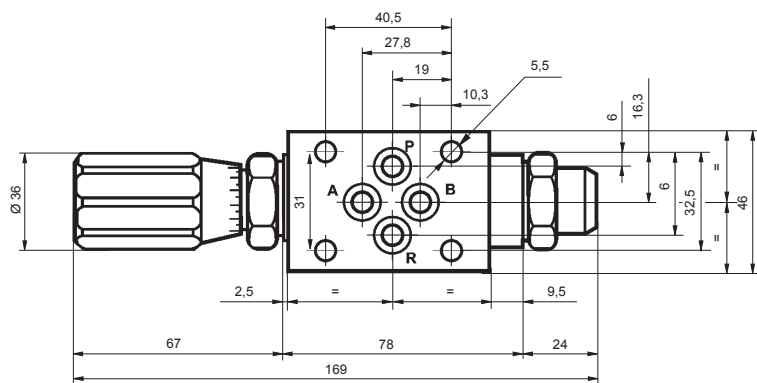
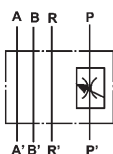


Type 4VCR

RFE. 4VCR02P▲/P



RFE. 4VC02P▲/B



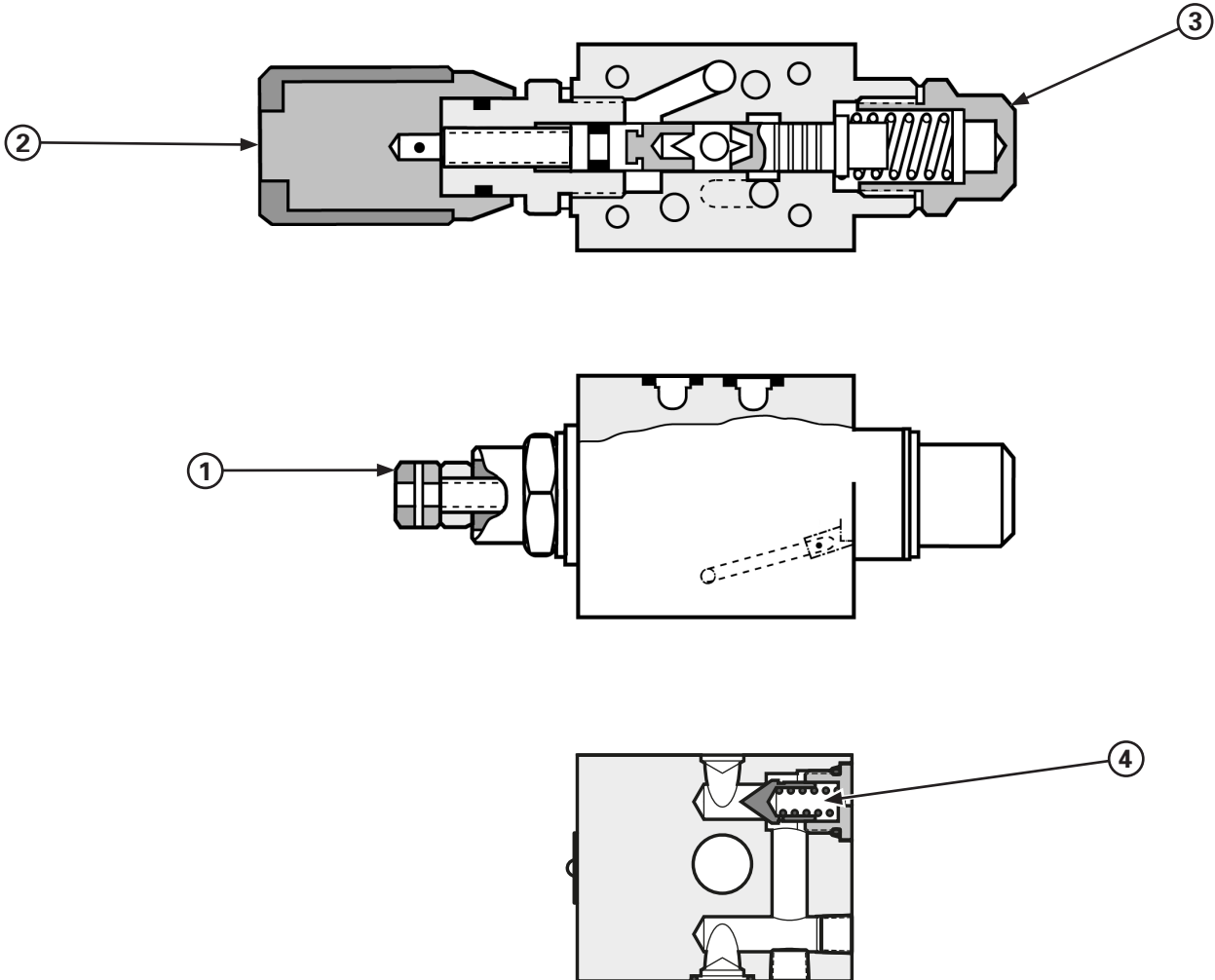
▲ In part number will be replaced by 2 - 3 according adjustment type

2	Adjustment by nut
3	Adjustment by knob

Note:

Valve port will be connected as shown on its corresponding drawing.

With top cover RF.321013 for individual assembly, «P» is pressure line and «B» is regulated flow, being «A» or «R» secondary flow to tank.

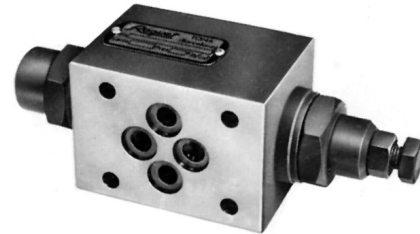


Mark	Part number	Description and parts
1A	7195500	Spare kit of adjustment type 2
2A	7195501	Spare kit of adjustment type 3
3A	7195502	Spare kit of plug
4A	714300	Spare kit of anticavitation valve

Accessories That need separate orders				
Sub-plate	RFE. 321001-321002-321031-321032			As per requirements
Top cover	RFE. 321012			
O'rings for individual mounting	2	O'rings	Ø 17 x 2	
Screws for fixing	4	Screws	M5 x 70 DIN.912	Torque 7-8 Nm.

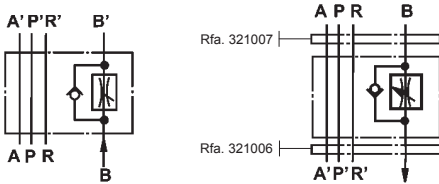
Hydraulic technical data

Max. working pressure	315 bar
Nominal flow	35 L./min.
Min. adjustment differential pressure	8 - 10 bar
Min, adjustable flow rate.	0,1 L/min.
Fluid recommended	ISO 6743 TYPE HM, HV or HG ISO 3448 Cat. VG32, VG46
Flow temperature range	-20°C...+80°C
Viscosity range	4 - 500 cST
Fluid cleanliness range	19/16 s/. ISO 4406 - RP70H or better
Weight	0,95 kg.

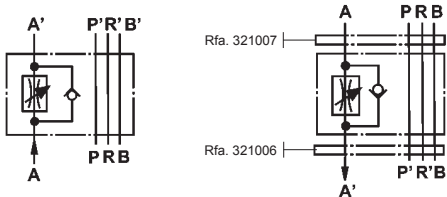


Type 4VCR

RFE. 4VCR02P▲ /B



RFE. 4VCR02P▲ /A



▲ In part number will be replaced by 2 - 3 - 4 according adjustment type

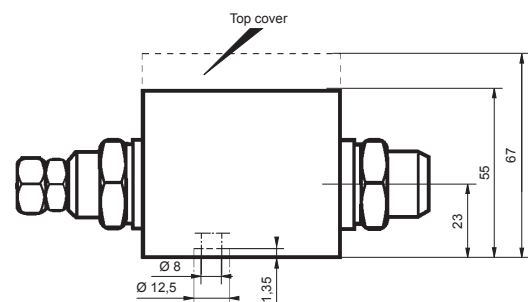
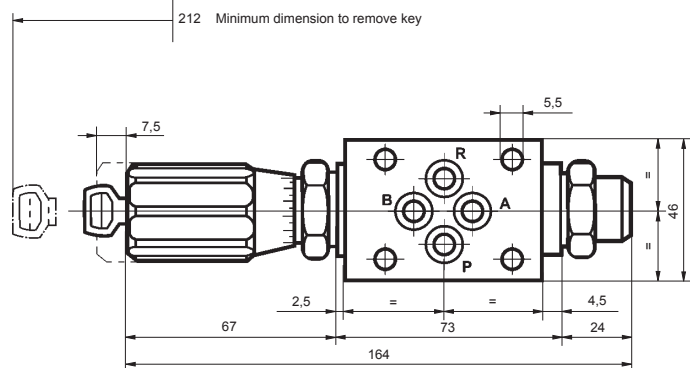
2	Adjustment by nut
3	Adjustment by knob
4	Adjustment by knob and lock

Note:

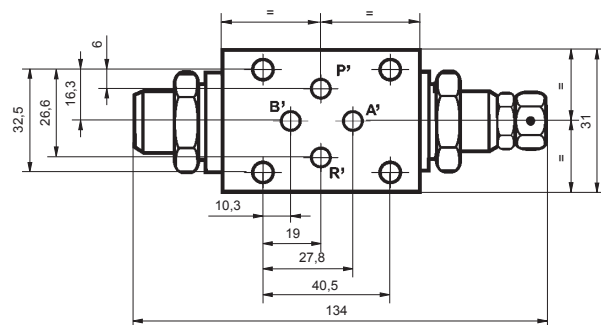
Valve ports will be connected as shown on corresponding drawing.

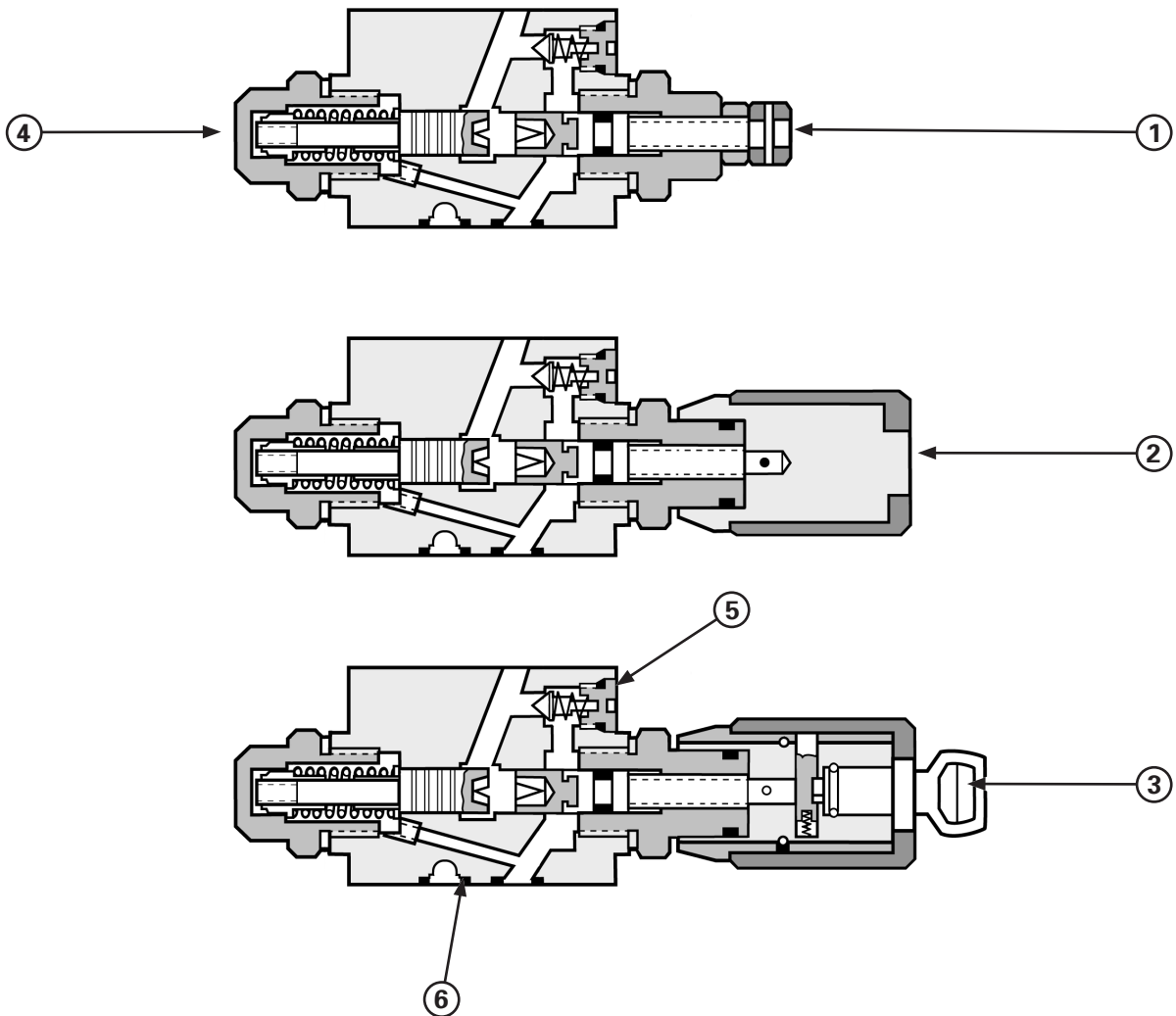
Adjustment sense is inverted by mounting sub-plates 321006 and 321007

Outlet adjustment B



Outlet adjustment A

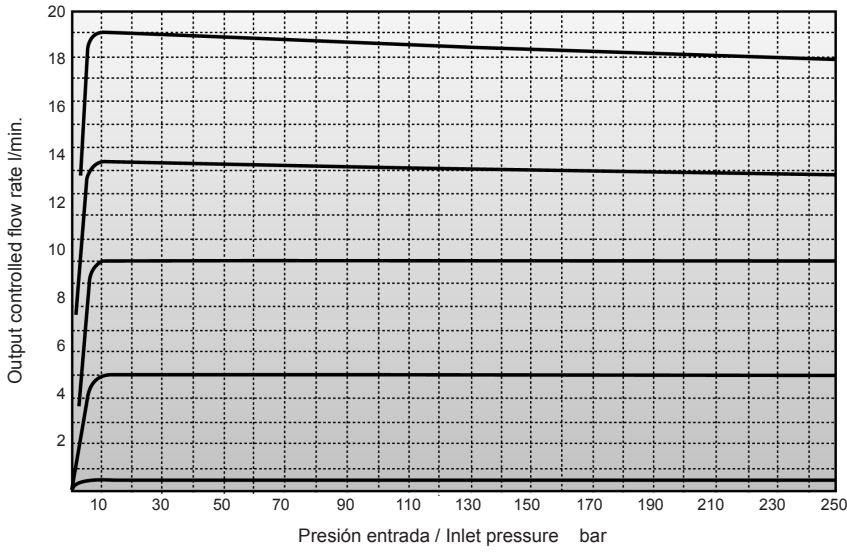




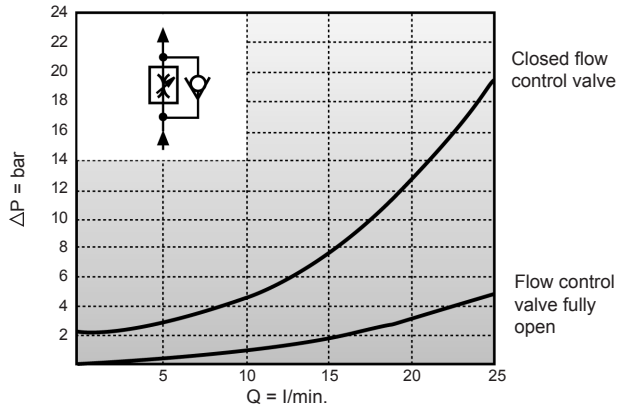
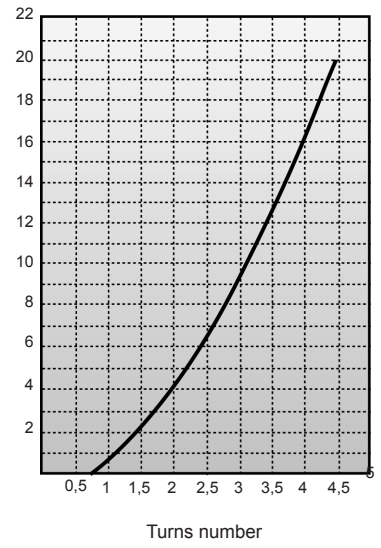
Mark	Part number	Description and parts
1A	7100500	Spare kit of adjustment type 2
2A	7100501	Spare kit of adjustment type 3
3A	7100502	Spare kit of adjustment type 4
4A	7100503	Spare kit of plug
5A	7100504	Spare kit of anticavitation valve
6A	N7100/29	Spare kit of seals

Accessories That need separate orders				
Sub-plate	RFE. 321001-321002-321031-321032	As per requirements		
Top cover	RFE. 321012			
O'rings for individual mounting	2	O'rings	Ø 17 x 2	
Screws for fixing	4	Screws	M5 x 70 DIN.912	Torque 7-8 Nm.

Diagram: Pressure - Flow rate

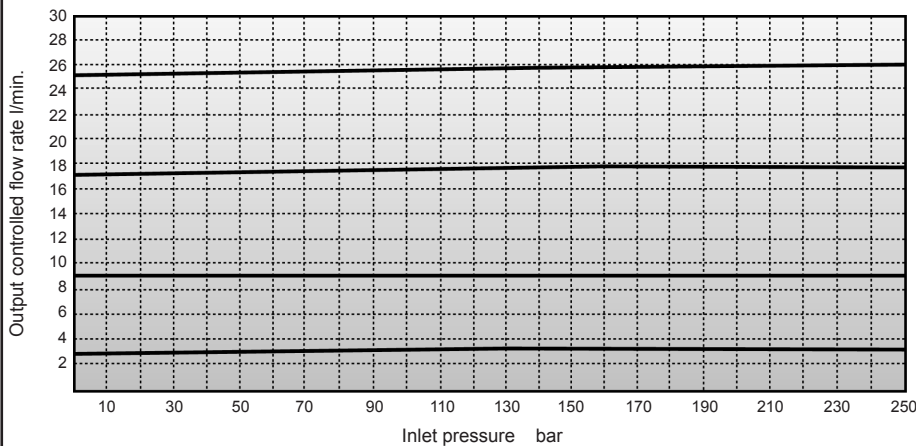


Metering curve

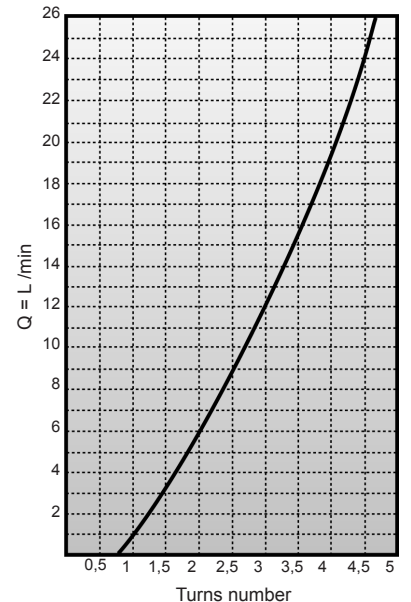


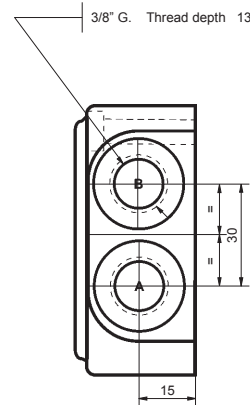
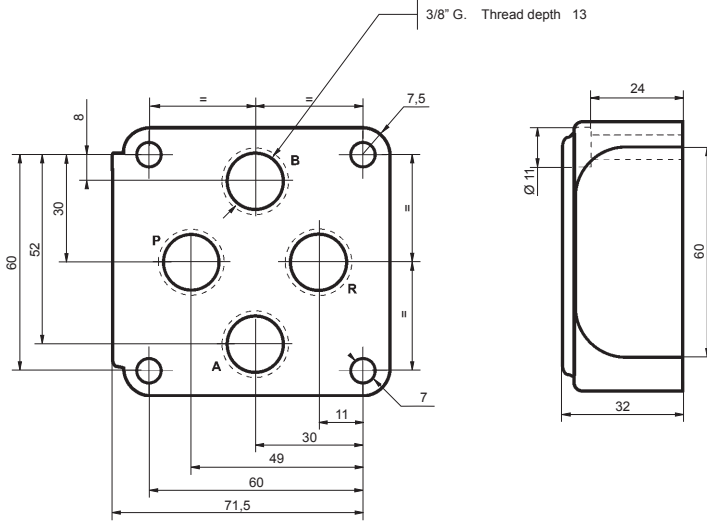
3 way flow control valves

Diagram: Pressure - Flow rate



Metering curve

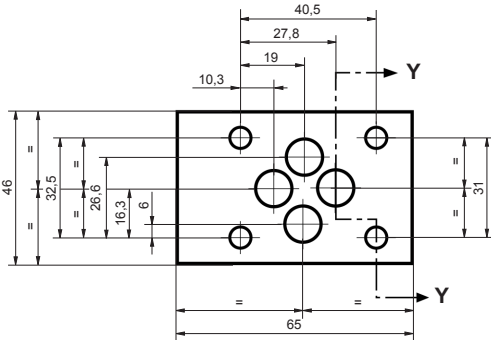




RFE: 321002

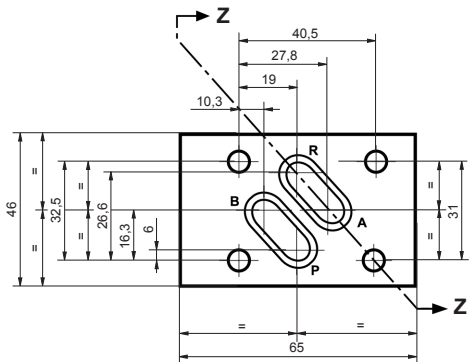
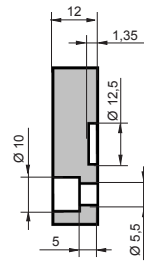
Approx. weight 0,9 kg.

Top cover



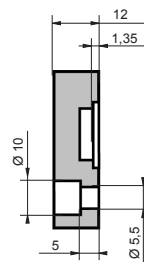
RFE: 321012

View Y - Y



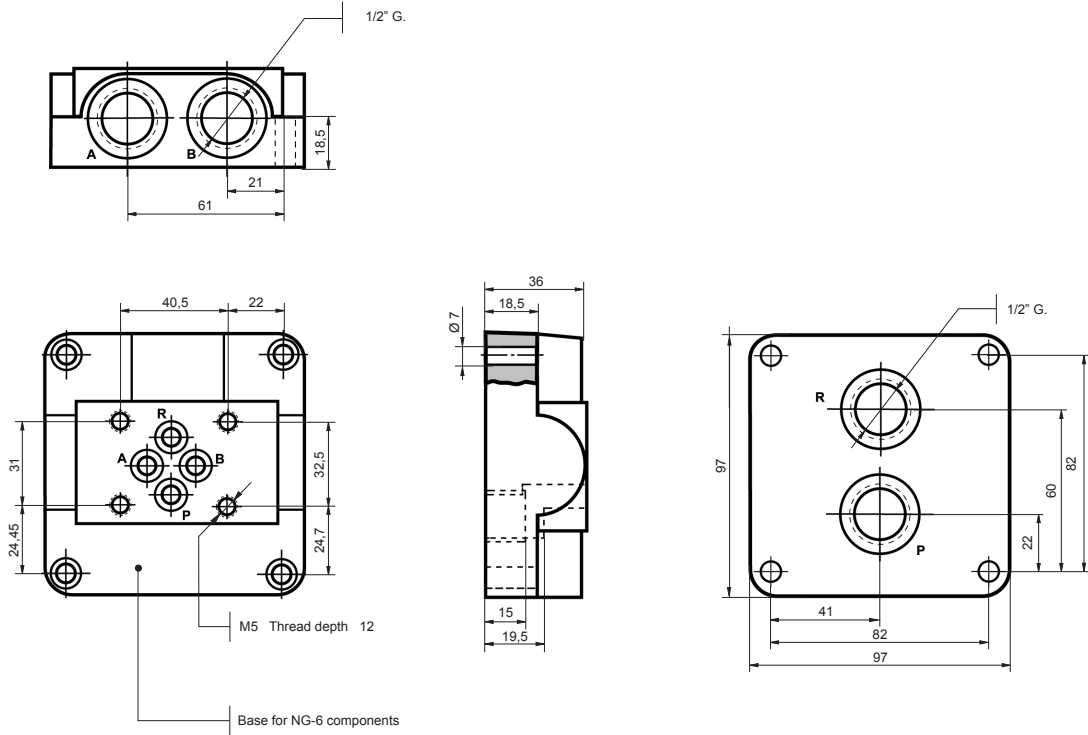
RFE: 321013

View Z - Z

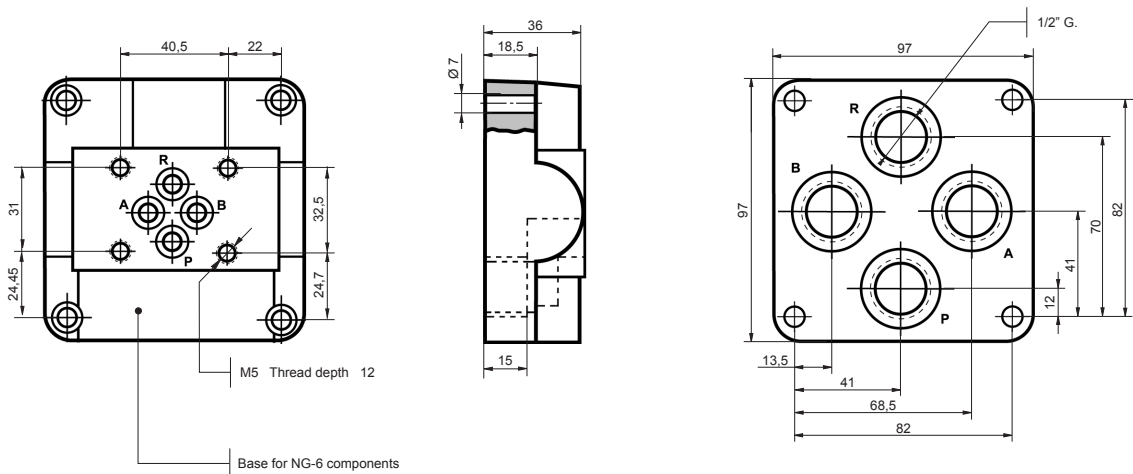


Approx. weight 0,25 kg.

RFE: 321032



RFE: 321031



Hydraulic technical data	
Max. working pressure	315 bar
Nominal pressure in return	Dynamic 80 bar
Max. nominal flow rate	80 L/min
Fluid to be used	ISO 6743 TYPE HM, HV or HG ISO 3448 Cat. VG32, VG46
Fluid temperature range	-20°C... +80°C
Viscosity range	4 - 500 cSt
Recommended fluid cleanliness	19/16 s/. ISO 4406 - RP70H or better
Weight with 2 solenoids	1,8 Kg
Weight with one solenoid	1,4 Kg

Electrical technical data		
Consumption per solenoid		
DC voltage current D.C.		48W
Alternate current A.C.	Open circuit	325VA
	Closed circuit	125VA
D.C. Voltage range		12V - 24V - 48V
A.C. Voltage range		24V-48V-110V-220V (50Hz) 115V-230V (60Hz)
Operating factor		ED 100%
Protection to DIN-40050		IP - 65
Voltage tolerance		Unom ± 10 %
Switching frequency		D.C. = Max. 15000/h A.C. = 7200/h
Response time		D.C. A.C.
Switch ON		45 - 65 ms 10 - 25 ms
Switch OFF		50 - 70 ms 25 - 50 ms

PART NUMBER

2 EV	P	3	D	1	C	03	R	230-50	*
↑		↑		↑	↑		↑	↑	↑
1		2		3	4		5	6	7

1 Positions and solenoids	
2EV	Electrical control

2 Positions and solenoids	
1	Two positions one solenoid (Only for spools type 7-8 and 17-18)
2	Two positions two solenoids
*3	Three positions two solenoids
*12	Two positions neutral and one end (A)
*13	Two positions neutral and one end (B)
14	Two positions end and neutral (A)
*29	Two positions with detent

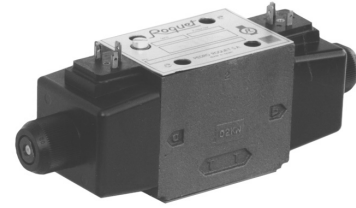
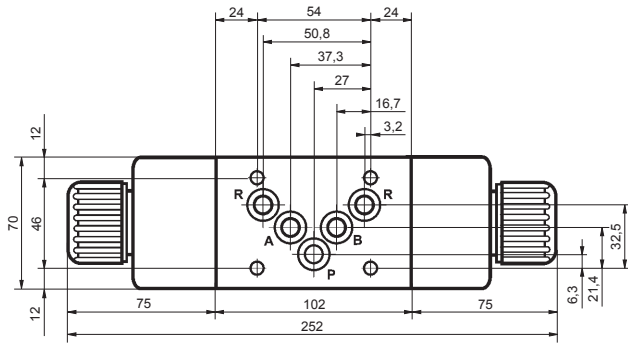
3 Spool type	
1 - 2 - 3 - 4 - 5 - 6 - 7 - 8 - 13 - 17 - 18	

4 Ways	
C	4
B	3

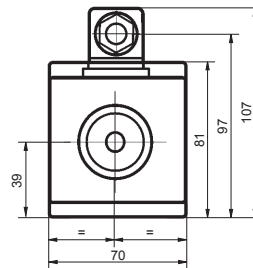
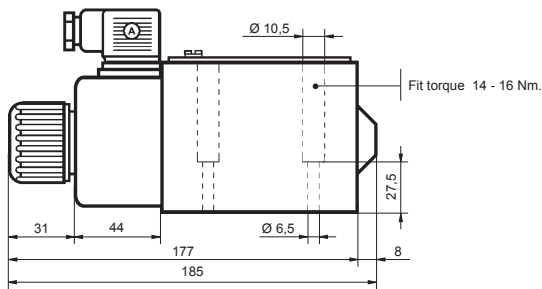
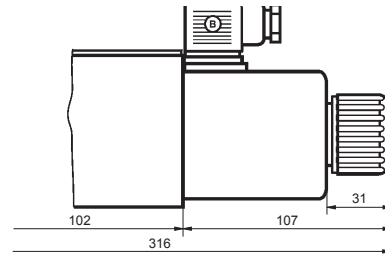
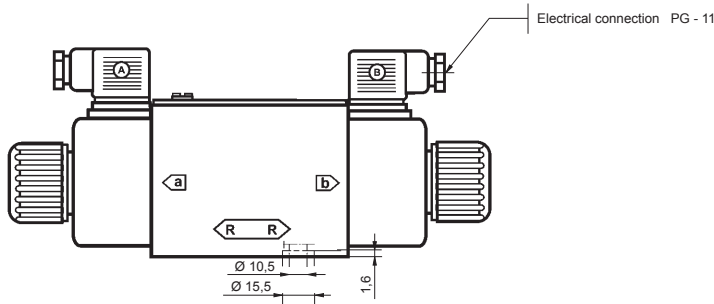
5 Current type	
C	DC voltage
R	AC voltage

6 Current type	
A.C.	24V - 50Hz / 48V - 50Hz / 110V - 50Hz / 220V - 50Hz 115V - 60Hz / 230V - 60Hz
D.C.	12V - 24V

7 Additional data	
L	Connector with led
V	Connector with varisto
LD	Connector with led and diode
REC	Connector with rectifier



D.C. Alternative only



P	Pressure inlet
A & B	Outlet to cylinders or motors
R	Return

For spools type 17 and 18, solenoid will be placed at side of outlet A.

For spools type 7 and 8, solenoid will be placed at side of outlet B.

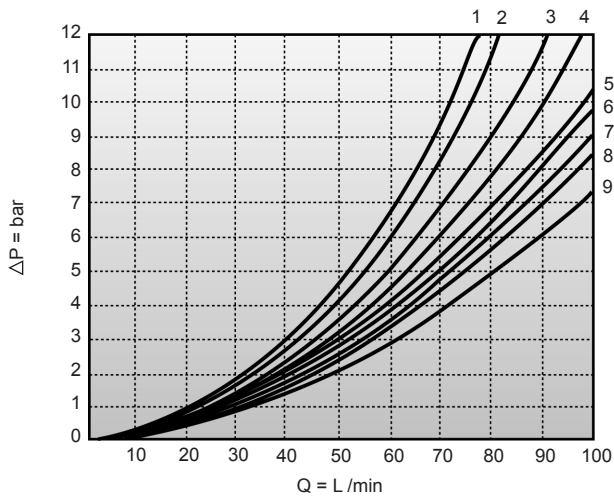
Reference	Spool type	Symbol	Connections				
			Solenoid "A" switched on		Central position	Solenoid "B" switched on	
2EVP3D1C03*	1		P (1) A	B (1) R	A & B (2) P (1) R	P (1) B	A (1) R
2EVP3D2C03*	2		P (1) B	A (1) R	A, B, P & R (2)		
2EVP3D3C03*	3				A & B (1) R P (2)		
2EVP3D4C03*	4				A, B, P (1) R		
2EVP3D5C03*	5				A (1) R B & P (2)		
2EVP3D6C03*	6		P (1) A	B (2) R	A (2) B & P (1) R		
2EVP3D13C03*	13		P (1) B	A (1) R	A & B (1) P R (2)		
2EVP2D2C03*	2						
2EVP29D2C03*	2						
2EVP12D4C03*	4				A, B, P (1) R		
			Solenoid switched ON		Solenoid switched OFF		
2EVP1D7B03*	7		P (1) A	B & R (2)	P (1) B	A (1) R	
2EVP1D8C03*	8		P (1) A	B (1) R	P (1) B	A (1) R	
2EVP1D17B03*	17		P (1) B	A & R (2)	P (1) A	B & R (2)	
2EVP1D18C03*	18		P (1) B	A (1) R	P (1) A	B (1) R	

(1) Connected. (2) Closed.

*Solenoid current type:
 C for D.C. current, indicating after it voltage required.
 R for A.C. current, indicating after it voltage and frequency required.

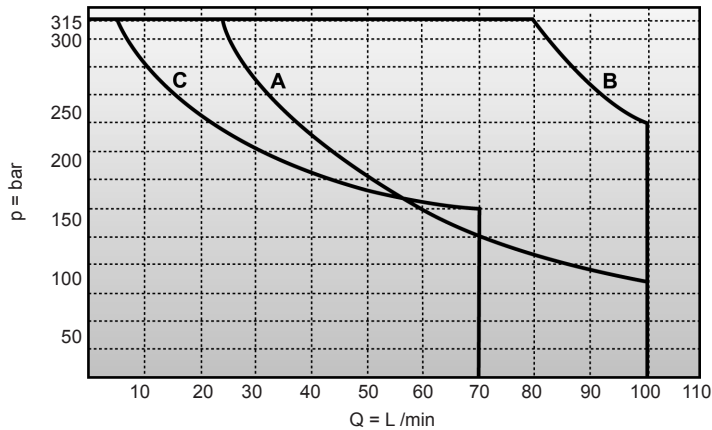
Pneumatic control details

Diagram: Δp -Q to 23 cSt.

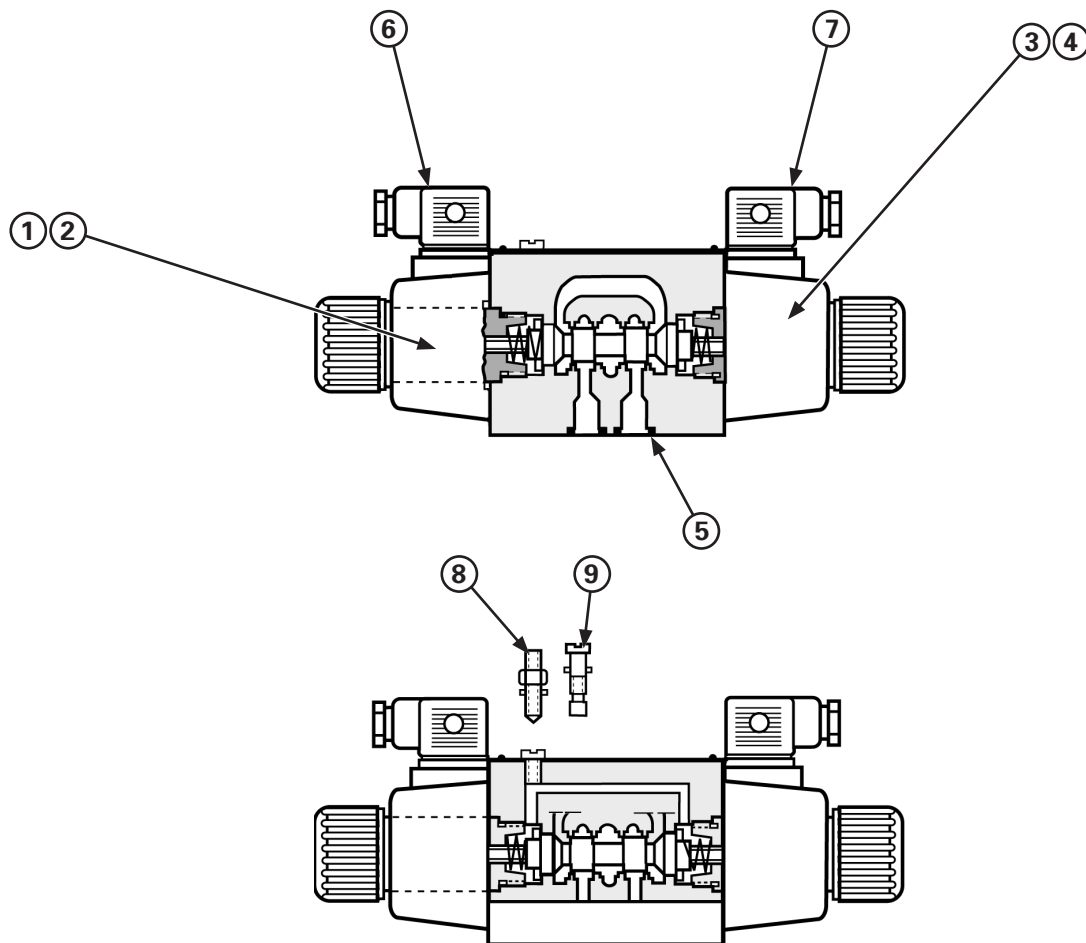


Spool type	P → A	P → B	A → R	B → R	P → R
1	6	6	2	1	3
2	8	8	5	7	-
3	8	8	5	7	-
4	9	9	5	7	4
5	8	8	5	7	-
6	6	6	2	1	3
13	9	9	5	7	-
7	8	8	-	-	-
8	5	4	3	4	-
17	5	4	-	-	-
18	5	4	3	4	-

Operation limits



Spool type	Curve
1 - 6	A
2 - 3 - 4 - 5 - 8 - 13 - 18	B
7 - 17	C



Only for use with D.C. solenoid

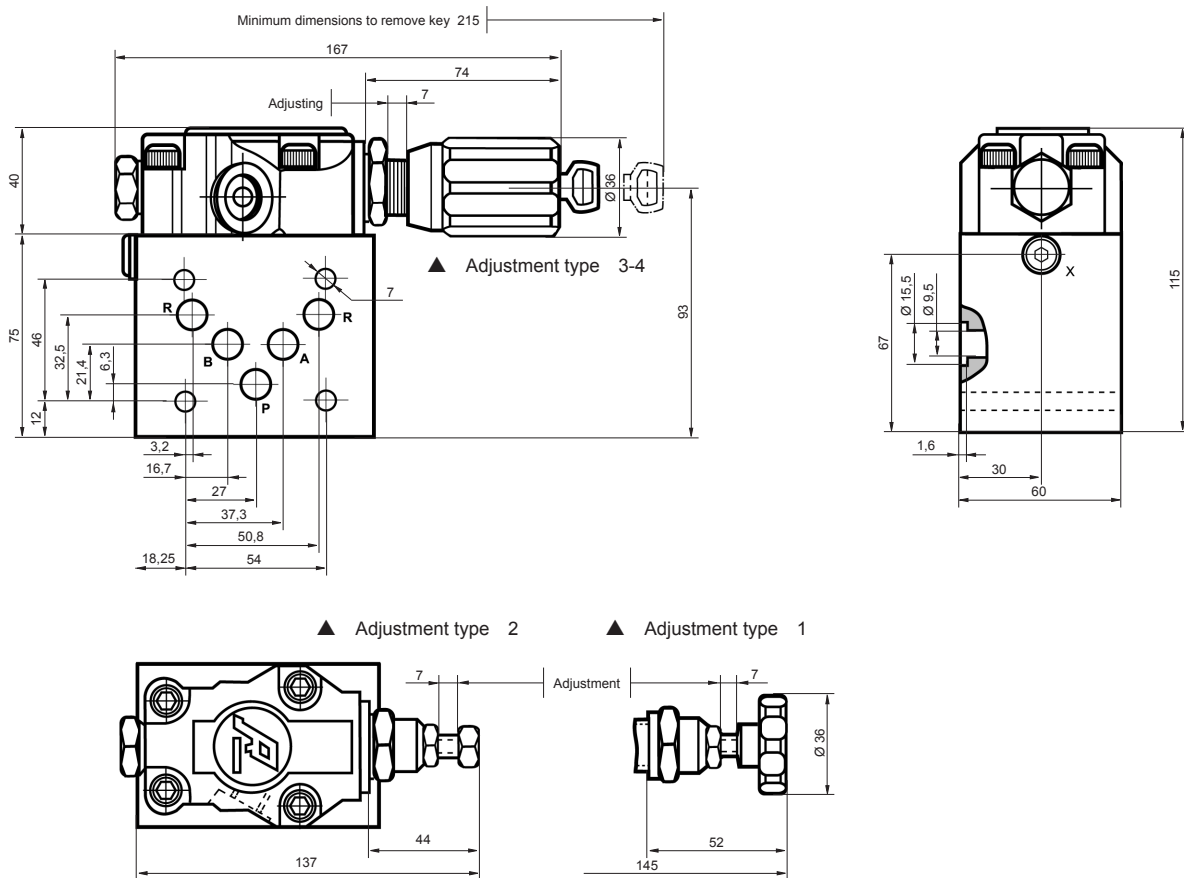
Note:

The speed of the spool movement can be adjusted, by replacing screw plug by a throttle screw no. 8 and 9. Take care that the complete volume of oil is maintained in the duct connector, since this is essential for operation of the damping adjustment.

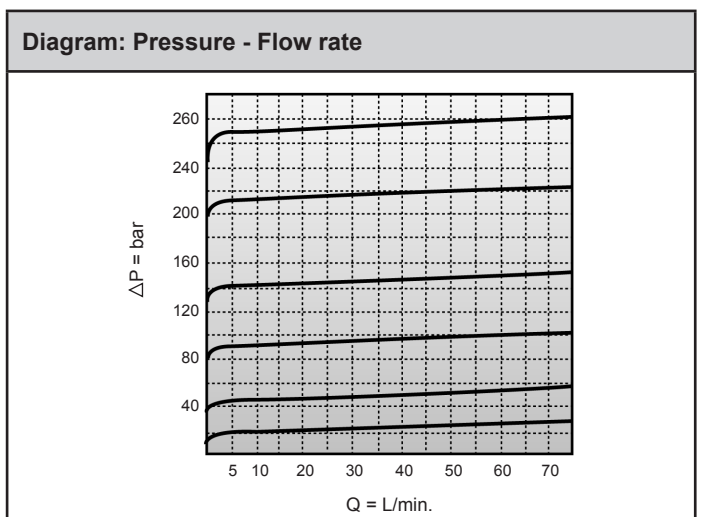
Mark	Part number	Description and parts	Mark	Part number	Description and parts
1A	8353500024	Spare kit of coil AC 24V-43W. Hirschmann.	3C	8353501048	Spare kit of coil DC 48V-48W
1B	8353500042	Spare kit of coil AC 42V-43W. Hirschmann.	3D	8353501098	Spare kit of coil DC 96V-48W
1C	8353500110	Spare kit of coil AC 110V-42W. Hirschmann.	4A	4422/88/1	Coil DC 12V-48W
1D	8353500115	Spare kit of coil AC 115V-44W. Hirschmann.	4B	4422/88/2	Coil DC 24V-48W
1E	8353500220	Spare kit of coil AC 220V-42W. Hirschmann.	4C	4422/88/3	Coil DC 48V-48W
1F	8353500230	Spare kit of coil AC 230V-44W. Hirschmann.	4D	4422/88/4	Coil DC 96V-48W
2A	8353/51/1	Coil AC 24V-43W. Hirschmann.	5A	N8353/55	Spare kit of seals
2B	8353/51/2	Coil AC 42V-43W. Hirschmann.	6A	8967/7	Connector B side
2C	8353/51/3	Coil AC 110/115V-50/60W. Hirschmann.	7A	8967/8	Conector A side
2D	8353/51/4	Coil AC 220/230V-50/60W. Hirschmann.	8A	8353504	Kit of control
3A	8353501012	Spare kit of coil DC 12V-48W	9A	8353505	Kit of timer
3B	8353501024	Spare kit of coil DC 24V-48W			

Accessories That need separate orders			
Sub-plate	RFE. 140001 - 140002 - 332003 - 332004		
Screws for fixing	DIN.912	M6 x 40	Torque 14-16 Nm.

Hydraulic technical data	
Max. working pressure	315 bar
Nominal flow	80 L./min.
Fluid recommended	ISO 6743 TYPE HM, HV or HG ISO 3448 Cat. VG32, VG46
Flow temperature range	-20°C...+80°C
Viscosity range	4 - 500 cST
Fluid cleanliness range	19/16 s/. ISO 4406 - RP70H or better
Weight	3,9 kg.

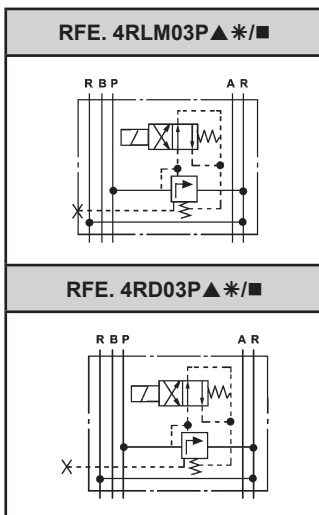
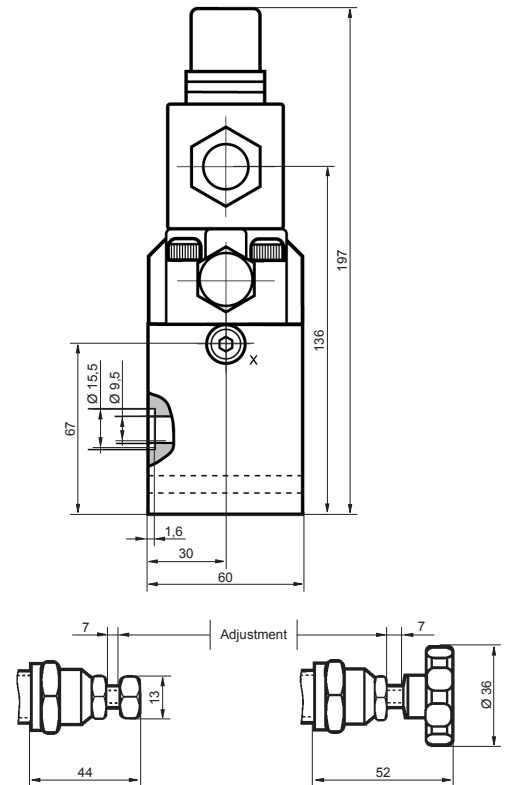
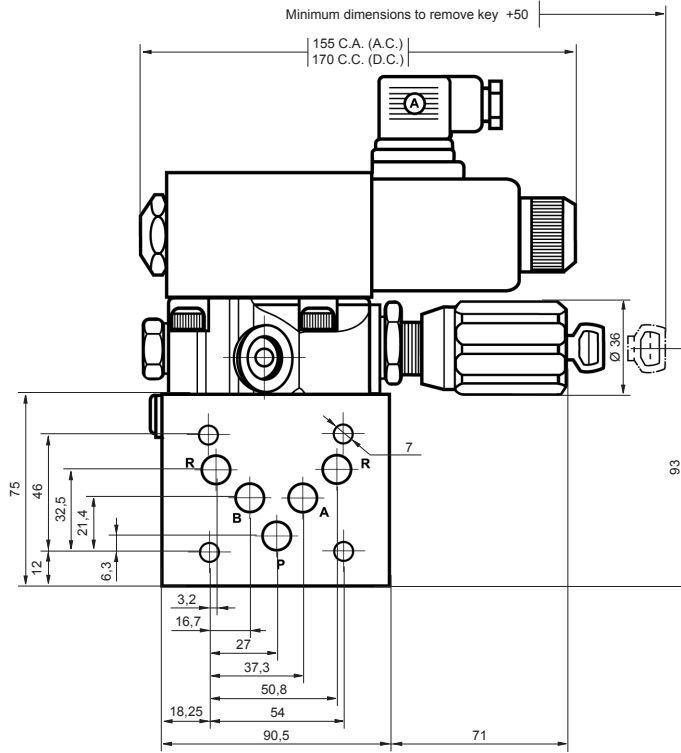


<p>RFE. 4RLM03P▲*</p>	<p>P Pressure inlet port</p> <p>A & B Outlet ports to cylinders or motors</p> <p>R Return to tank</p> <p>X Remote control port</p>
	<p>B 5-95 bar</p> <p>D 100-195 bar</p> <p>F 200-315 bar</p>
<p>RFE. 4RD03P▲*</p>	<p>* The asterisk in the part number will be replaced by B - D or F according to setting pressure required.</p> <p>▲ In part number will be replaced by 2 - 3 - 4 according adjustment type</p>
	<p>2 Adjustment by nut</p>
	<p>3 Adjustment by knob</p>
	<p>4 Adjustment by knob and lock</p>



Hydraulic technical data	
Max. working pressure	315 bar
Nominal flow	80 L./min.
Fluid recommended	ISO 6743 TYPE HM, HV or HG ISO 3448 Cat. VG32, VG46
Flow temperature range	-20°C...+80°C
Viscosity range	4 - 500 cST
Fluid cleanliness range	19/16 s/. ISO 4406 - RP70H or better
Weight	1,2 kg.

Electrical technical data		
Consumption per solenoid		
DC voltage current D.C.	30 W	
Alternate current A.C.	Open circuit	180 VA
	Closed circuit	65 VA
D.C. Voltage range	12V - 24V	
A.C. Voltage range	24V - 50Hz / 48V - 50Hz 110V - 50Hz / 220V - 50Hz 115V - 60Hz / 230V - 60Hz	
Operating factor	ED 100%	
Protection to DIN-40050	IP - 65	

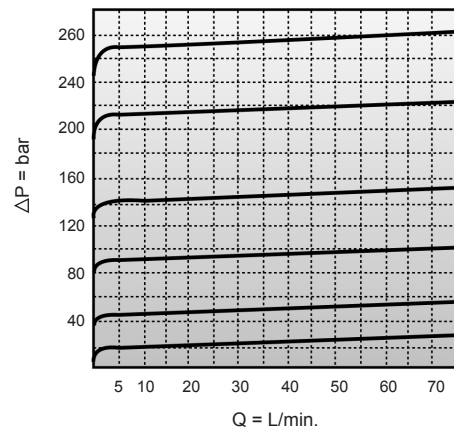


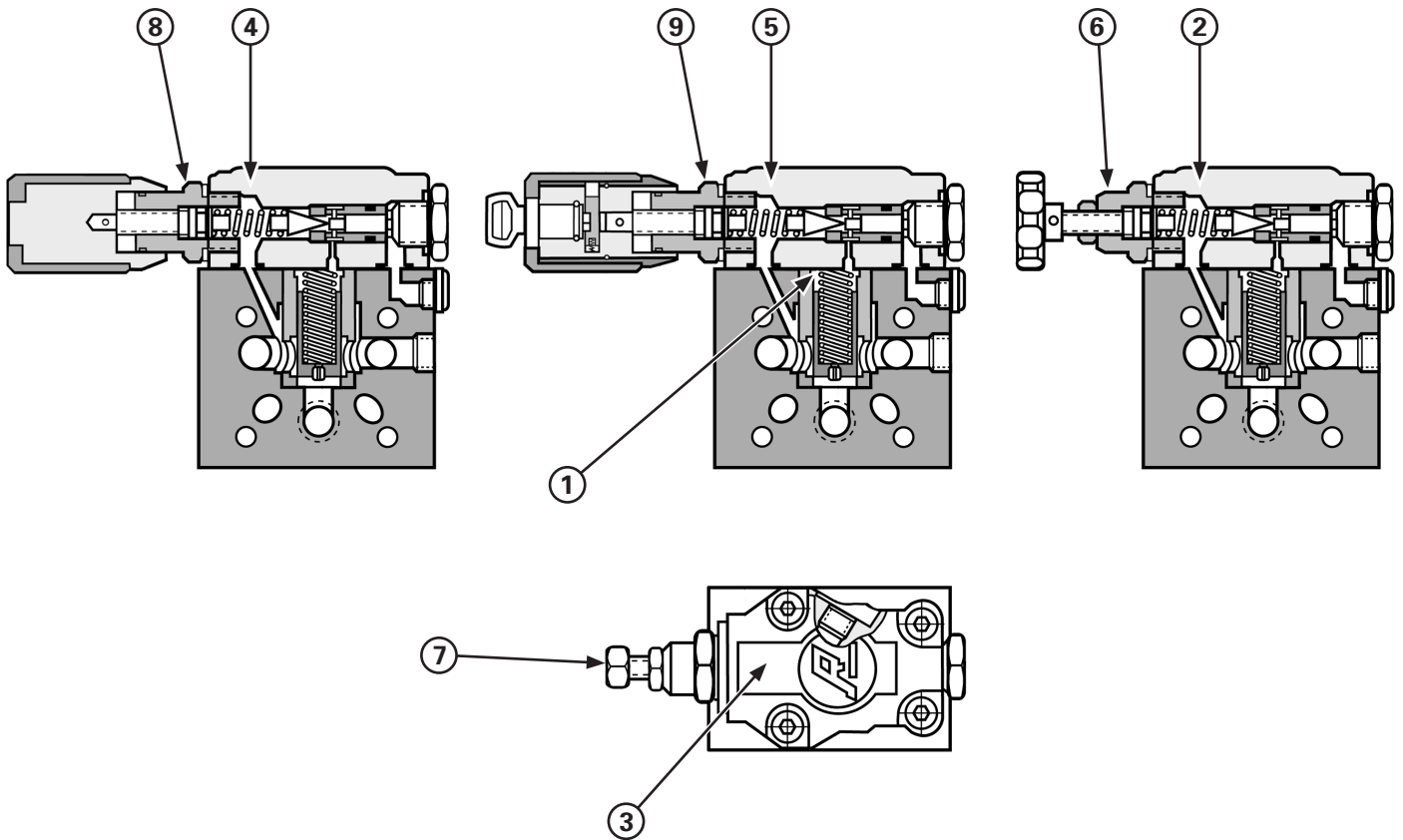
P	Pressure inlet port
A & B	Outlet ports to cylinders or motors
R	Return to tank
X	Remote control port
B	5-95 bar
D	100-195 bar
F	200-315 bar

* The asterisk in the part number will be replaced by B - D - F or G according to setting pressure required.

■ Solenoid current voltage
24V - 50Hz / 48V - 50Hz
110V - 50Hz / 220V - 50Hz
115V - 60Hz / 230V - 60Hz

Diagram: Pressure - Flow rate



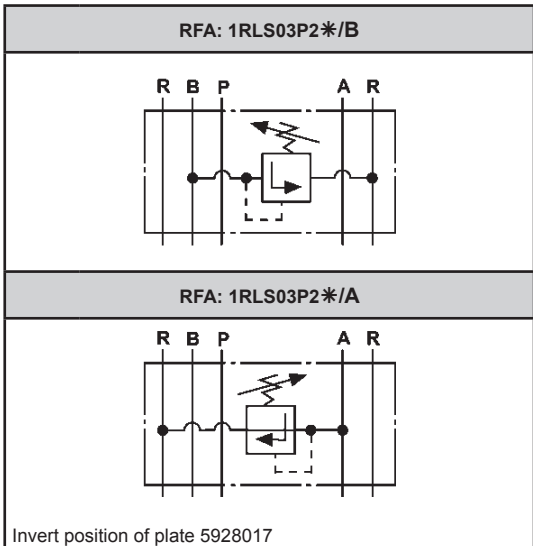


Mark	Part number	Description and parts
1A	N8783/10	Spare kit of drainage plug
2A	3RLT00P1B	Piloted relief valve. Adjustment type 1 (5-95 bar).
2B	3RLT00P1D	Piloted relief valve. Adjustment type 1 (100-195 bar).
2C	3RLT00P1F	Piloted relief valve. Adjustment type 1 (200-350 bar).
3A	3RLT00P2B	Piloted relief valve. Adjustment type 2 (5-95 bar).
3B	3RLT00P2D	Piloted relief valve. Adjustment type 2 (100-195 bar).
3C	3RLT00P2F	Piloted relief valve. Adjustment type 2 (200-350 bar).
4A	3RLT00P3B	Piloted relief valve. Adjustment type 3 (5-95 bar).
4B	3RLT00P3D	Piloted relief valve. Adjustment type 3 (100-195 bar).
4C	3RLT00P3F	Piloted relief valve. Adjustment type 3 (200-350 bar).
5A	3RLT00P4B	Piloted relief valve. Adjustment type 4 (5-95 bar).
5B	3RLT00P4D	Piloted relief valve. Adjustment type 4 (100-195 bar).
5C	3RLT00P4F	Piloted relief valve. Adjustment type 4 (200-350 bar).

Mark	Part number	Description and parts
6A	6901500/B	Spare kit adjustment type 1 (5-95 bar).
6B	6901500/D	Spare kit adjustment type 1 (100-195 bar).
6C	6901500/F	Spare kit adjustment type 1 (200-350 bar).
7A	6901501/B	Spare kit adjustment type 2 (5-95 bar).
7B	6901501/D	Spare kit adjustment type 2 (100-195 bar).
7C	6901501/F	Spare kit adjustment type 2 (200-350 bar).
8A	6901502/B	Spare kit adjustment type 3 (5-95 bar).
8B	6901502/D	Spare kit adjustment type 3 (100-195 bar).
8C	6901502/F	Spare kit adjustment type 3 (200-350 bar).
9A	6901503/B	Spare kit adjustment type 4 (5-95 bar).
9B	6901503/D	Spare kit adjustment type 4 (100-195 bar).
9C	6901503/F	Spare kit adjustment type 4 (200-350 bar).

Accessories That need separate orders			
Sub-plate	RFE. 140001 - 140002 - 332003 - 332004		
Top cover	RFE. 5928502		
O'rings for individual mounting	Ø 24 x 2 (2)	Ø 12,4 x 1,78 (1)	
Screws for fixing	DIN.912	M6 x 80 (4)	Torque 14-16 Nm.

Hydraulic technical data	
Max. working pressure	315 bar
Nominal flow	80 L./min.
Fluid recommended	ISO 6743 TYPE HM, HV or HG ISO 3448 Cat. VG32, VG46
Flow temperature range	-20°C...+80°C
Viscosity range	4 - 500 cST
Fluid cleanliness range	19/16 s/. ISO 4406 - RP70H or better
Weight	2,250 kg.



P	Pressure inlet port
A & B	Outlet ports to cylinders or motors
R	Return to tank
B	5-80 bar
D	85-175 bar
F	180-315 bar

* The asterisk in the part number will be replaced by B - D or F according to setting pressure required.

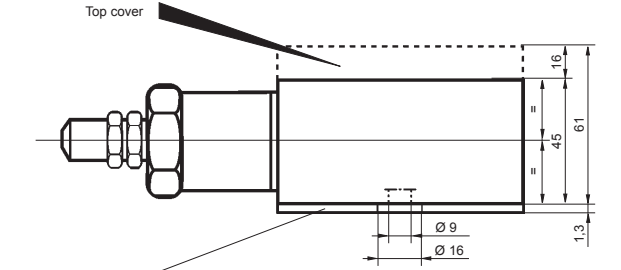
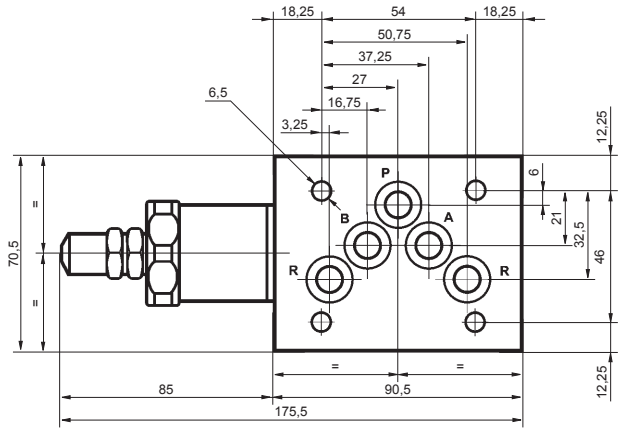
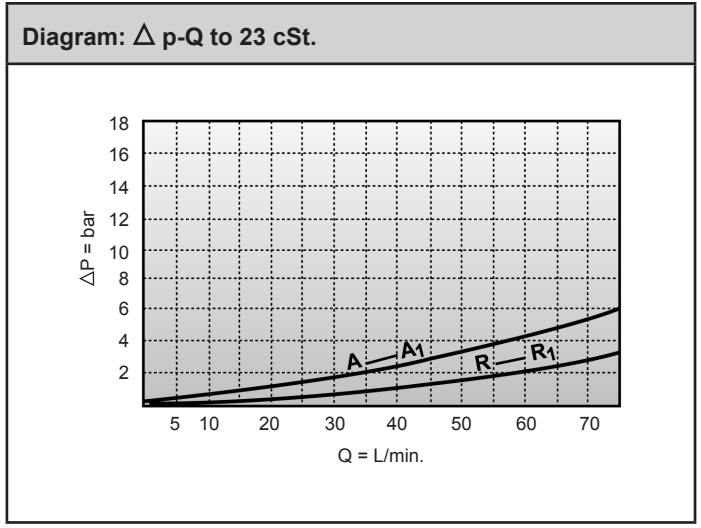
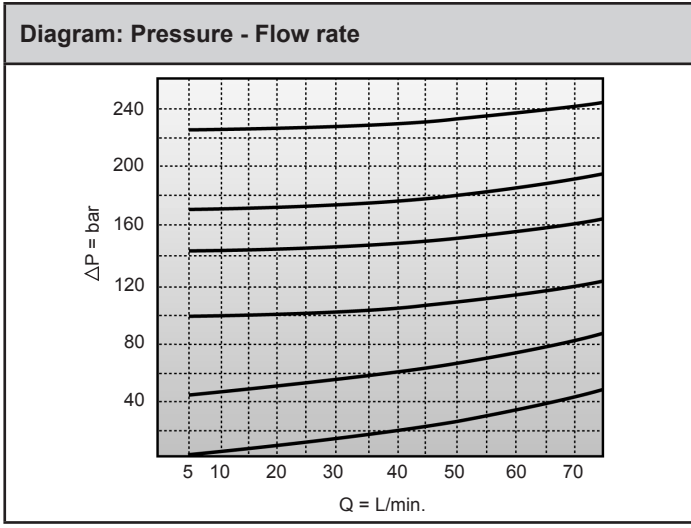
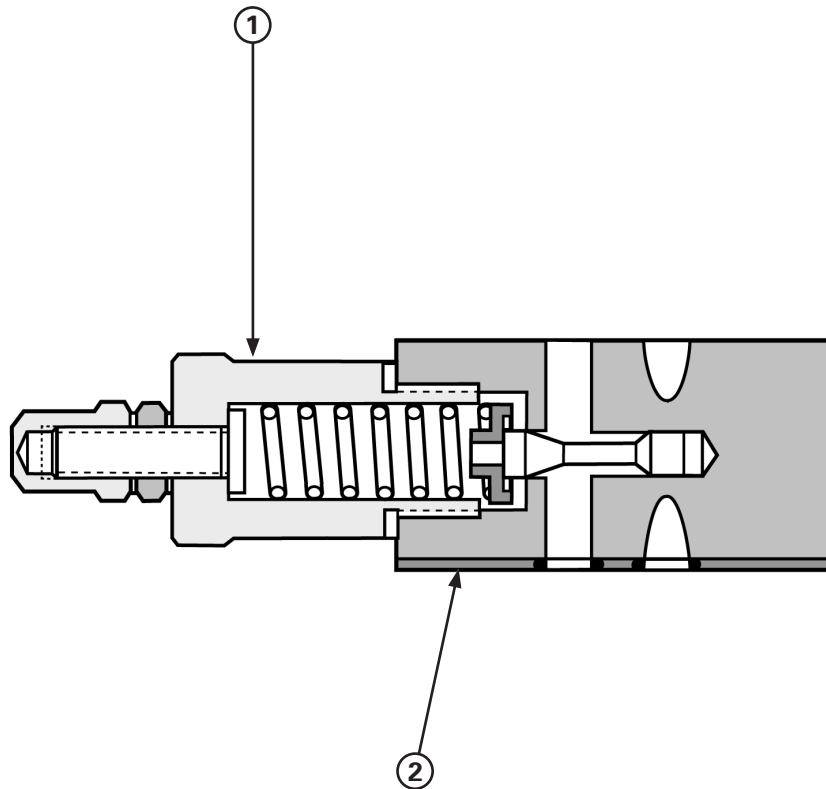


Plate ref. 5928017 is provided with the valve





Mark	Part number	Description and parts
1A	6035500/B	Spare kit of valve (5-80 bar).
1B	6035500/D	Spare kit of valve (85-175 bar).
1C	6035500/F	Spare kit of valve (180-315 bar).
2A	5928503	Spare kit of subplate

Accessories That need separate orders				
Sub-plate	RFE. 140001 - 140002 - 332003 - 332004	As per requirements		
Top cover kit	RFE. 5928502			
O'rings for individual mounting	2	O'rings	Ø 24 x 2	
O'rings for individual mounting	1	O'rings	Ø 12,4 x 1,78	
Screws for fixing	4	Screws	M6 x 70 DIN.912	Torque 14-16 Nm.

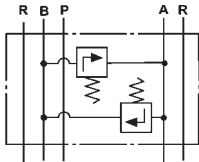
Hydraulic technical data

Max. working pressure	315 bar
Nominal flow	80 L./min.
Fluid recommended	ISO 6743 TYPE HM, HV or HG ISO 3448 Cat. VG32, VG46
Flow temperature range	-20°C...+80°C
Viscosity range	4 - 500 cST
Fluid cleanliness range	19/16 s/. ISO 4406 - RP70H or better
Weight	2,350 kg.



Type 1RLD

RFE: 1RLD03P2*/*



P	Pressure inlet port
A & B	Outlet ports to cylinders or motors
R	Return to tank

B	5-80 bar
D	85-175 bar
F	180-315 bar

* The asterisk in the part number will be replaced by B - D or F according to setting pressure required.

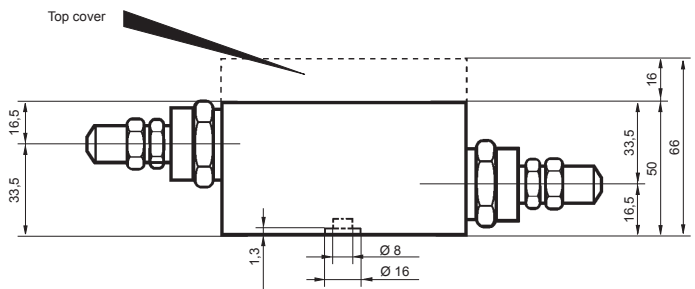
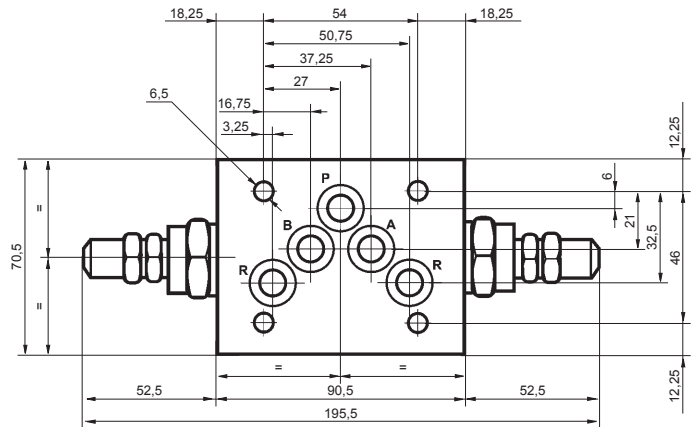


Diagram: Pressure - Flow rate

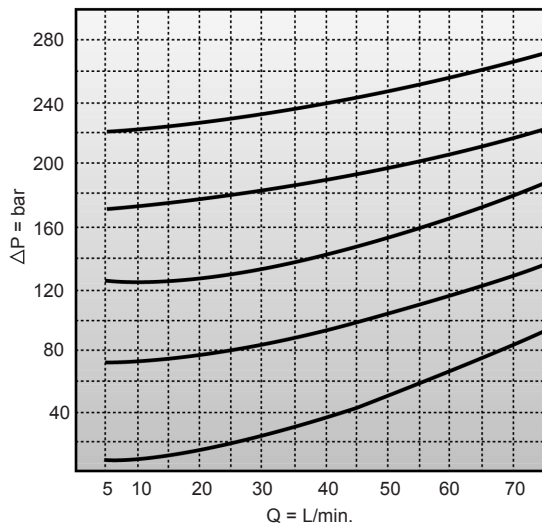
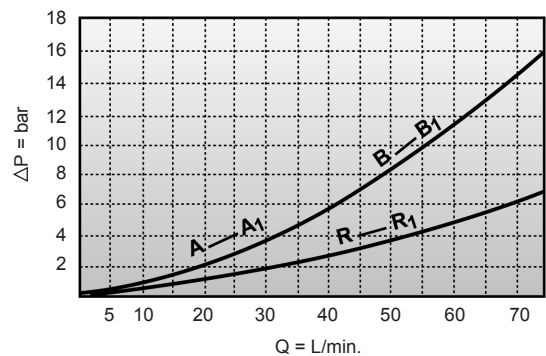
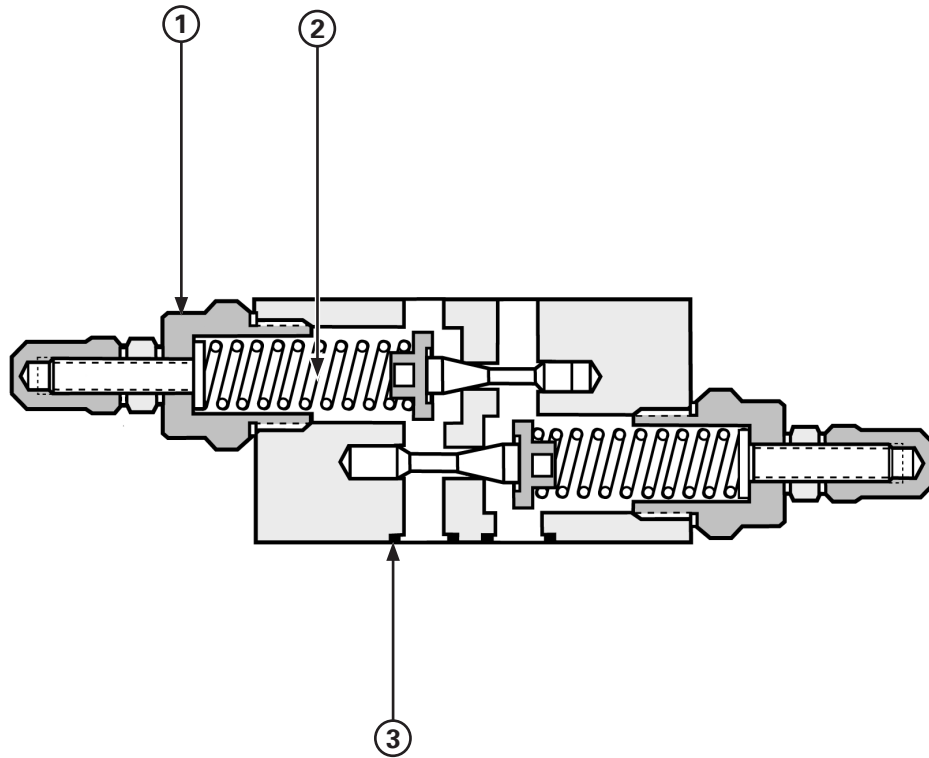


Diagram: Δp-Q to 23 cSt.





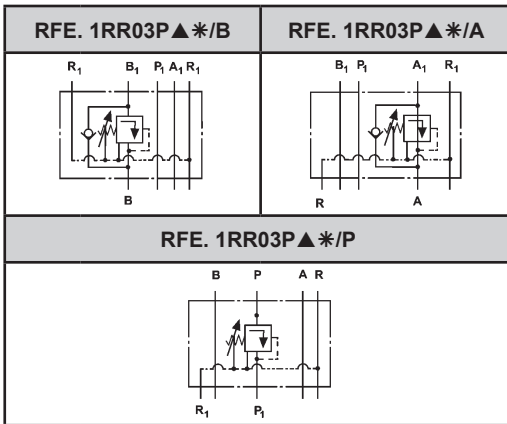
Mark	Part number	Description and parts
1A	6034500/B	Spare kit of valve (5-80 bar)
1B	6034500/D	Spare kit of valve (85-175 bar)
1C	6034500/F	Spare kit of valve (180-315 bar)
2A	714/8/1	Spring (5-80 bar)

Mark	Part number	Description and parts
2B	1670/23	Spring (85-175 bar)
2C	1670/24B	Spring (180-315 bar)
3A	N6035/22	Spare kit of seals

Accessories		That need separate orders			
Sub-plate		RFE. 140001 - 140002 - 332003 - 332004			
Top cover		RFE. 5928502			
O'rings for individual mounting	4	O'rings	Ø 24 x 2		
O'rings for individual mounting	4	O'rings	Ø 12,4 x 78		
Screws for fixing	4	Screws	M6 x 75	DIN.912	Torque 14-16 Nm.

Hydraulic technical data

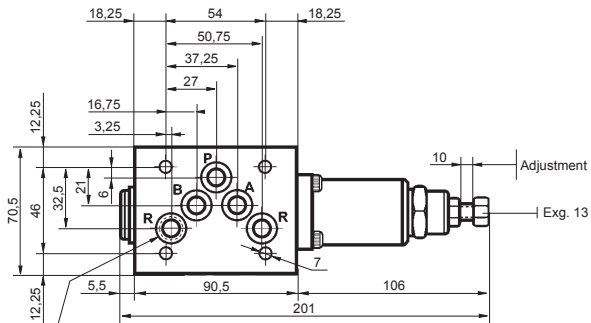
Max. working pressure	315 bar
Nominal flow	60 L./min.
Min. setting pressure with flow rate of 60 L/min.	10 bar
Fluid recommended	ISO 6743 TYPE HM, HV or HG ISO 3448 Cat. VG32, VG46
Flow temperature range	-20°C...+80°C
Viscosity range	4 - 500 cST
Fluid cleanliness range	19/16 s/. ISO 4406 - RP70H or better
Weight	3 kg.



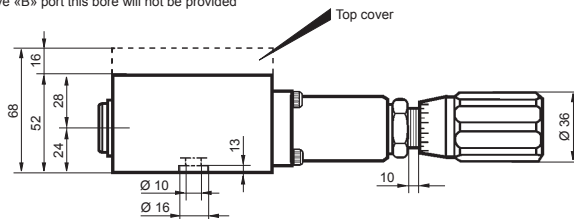
P	Pressure inlet port
A & B	Outlet ports to cylinders or motors
B	5-80 bar
D	85-175 bar
F	180-315 bar

* The asterisk in the part number will be replaced by B - D - F or G according to setting pressure required.

- Top cover RF: 5928502 for individual assembly can only be used on valve RFE: 1RR03P▲*/B - 1RR03P▲*/P in both cases, «P», is pressure line 2nd «B» is reduced pressure, and «A» or «R» drainage lines.
- Valve RFE: 1RR03P▲*/A cannot be used for individual assembly.



For reducing valve «B» port this bore will not be provided



For reducing valve «A» port this hole will not be provided

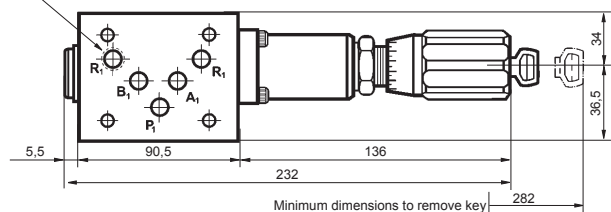


Diagram: Pressure - Flow rate

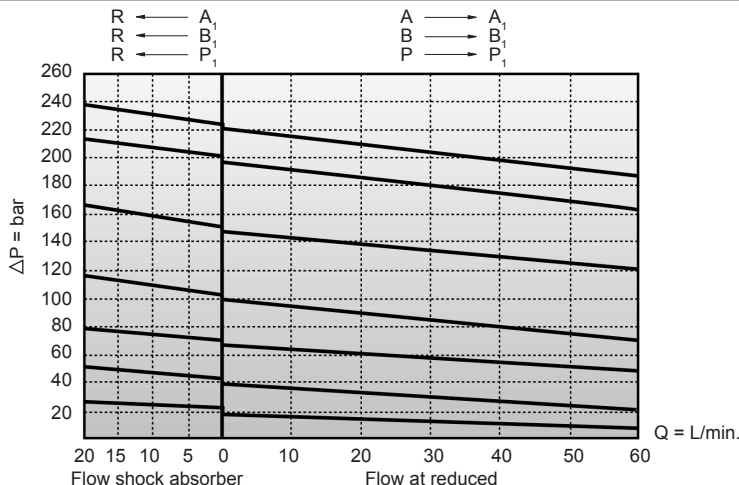
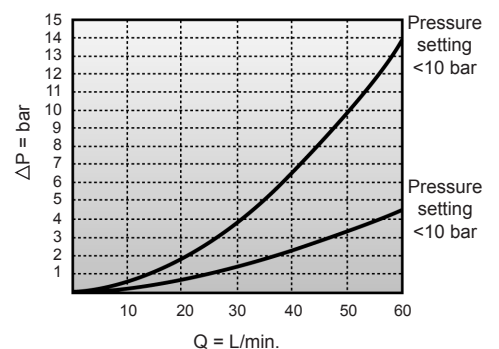
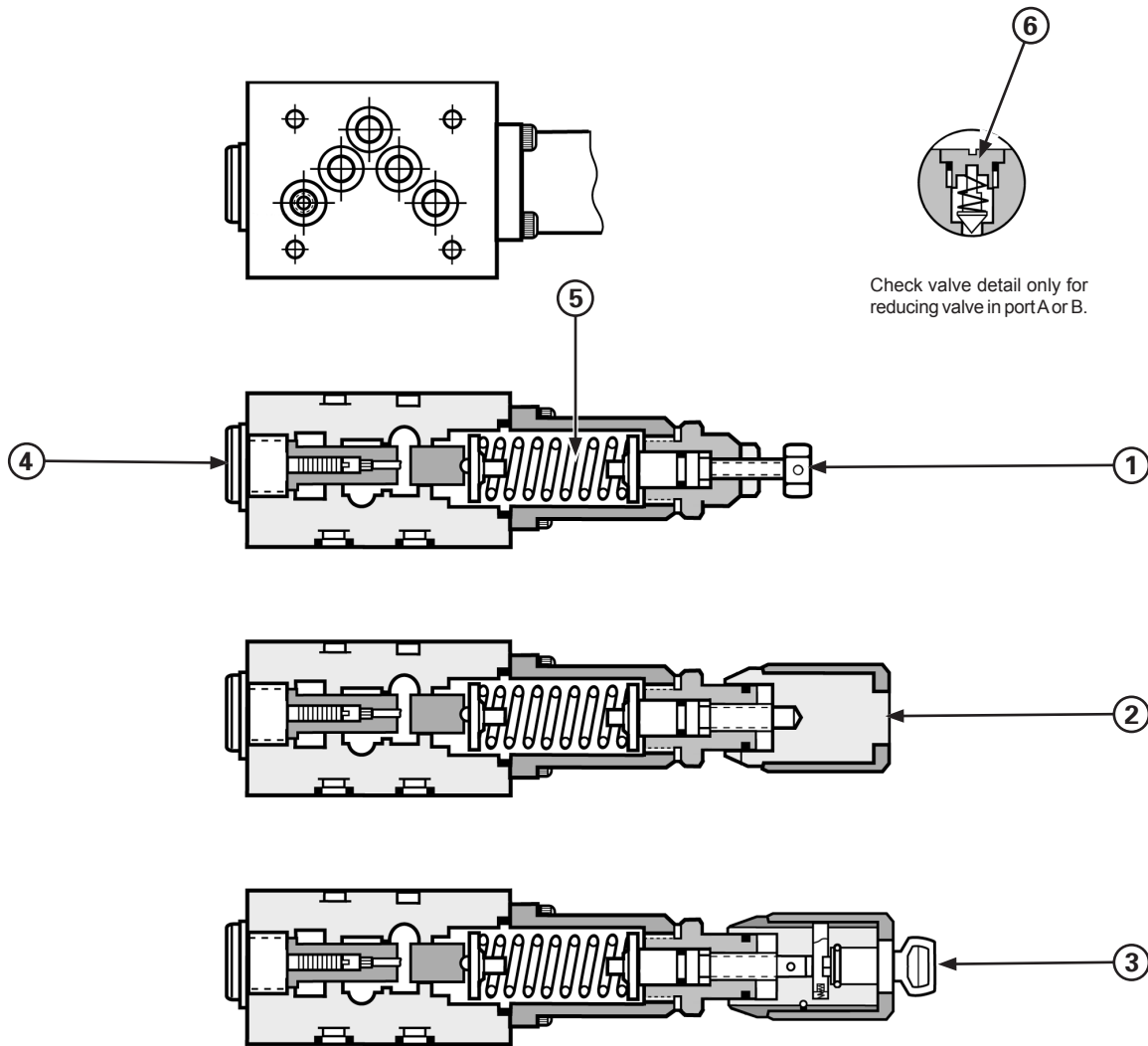


Diagram: Δp -Q to 23 cSt.





Mark	Part number	Description and parts
1A	7150500/B	Spare kit of valve type 2 (5-80 bar)
1B	7150500/D	Spare kit of valve type 2 (85-175 bar)
1C	7150500/F	Spare kit of valve type 2 (180-315 bar)
2A	7150501/B	Spare kit of valve type 3 (5-80 bar)
2C	7150501/D	Spare kit of valve type 3 (85-175 bar)
2C	7150501/F	Spare kit of valve type 3 (180-315 bar)
3A	7150502/B	Spare kit of valve type 4 (5-80 bar)

Mark	Part number	Description and parts
3B	7150502/D	Spare kit of valve type 4 (85-175 bar)
3C	7150502/F	Spare kit of valve type 4 (180-315 bar)
4A	7150503	Spare kit of plug
5A	714/8/1	Spring (5-80 bar)
5B	1670/23	Spring (85-175 bar)
5C	1670/24B	Spring (180-250 bar)
6A	714300	Spare kit of anticavitation valve

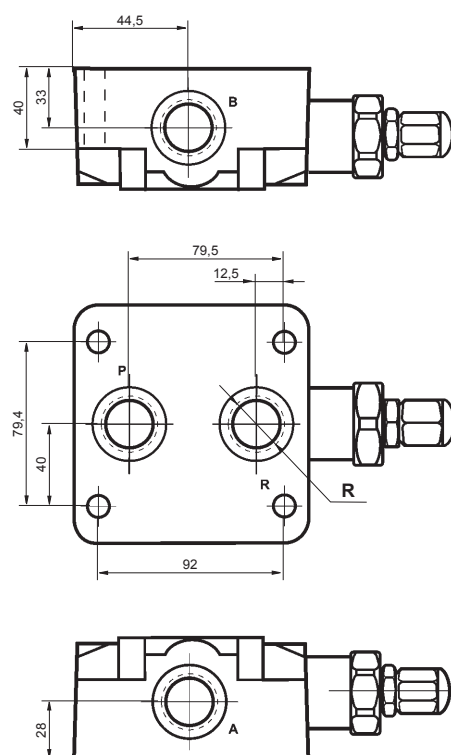
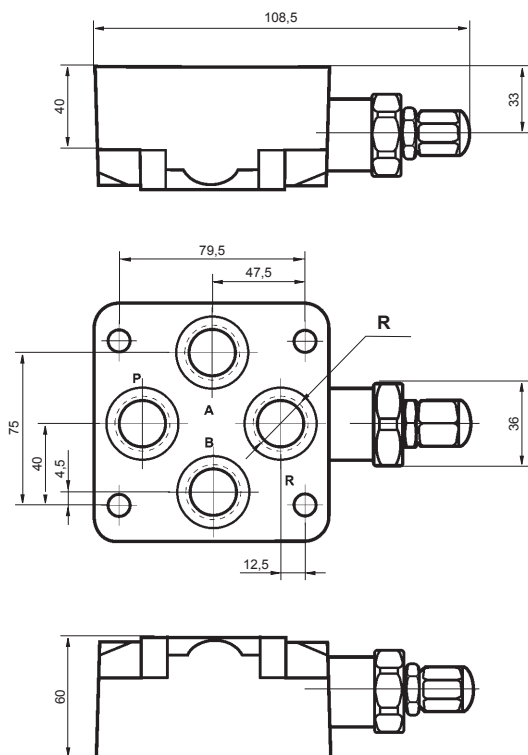
Accessories		That need separate orders			
Sub-plate		RFE. 140001 - 140002 - 332003 - 332004			
Top cover		RFE. 5928502			
O'rings for individual mounting	2	O'rings	Ø 24 x 2		
O'rings for individual mounting	1	O'rings	Ø 12,4 x 78		
Screws for fixing	4	Screws	M6 x 70 DIN.912	Torque 14-16 Nm.	

Hydraulic technical data	
Max. working pressure	315 bar
Nominal flow	80 L./min.
Fluid recommended	ISO 6743 TYPE HM, HV or HG ISO 3448 Cat. VG32, VG46
Flow temperature range	-20°C...+80°C
Viscosity range	4 - 500 cST
Fluid cleanliness range	19/16 s/. ISO 4406 - RP70H or better
Weight	4,84 kg.



Reference	R (G.)	Thread depth
4RLM03P2 */04	1/2"	15
4RLM03P2 */06	3/4"	17

Reference	R (G.)	Thread depth
4RLL03P2 */04	1/2"	15
4RLL03P2 */06	3/4"	17

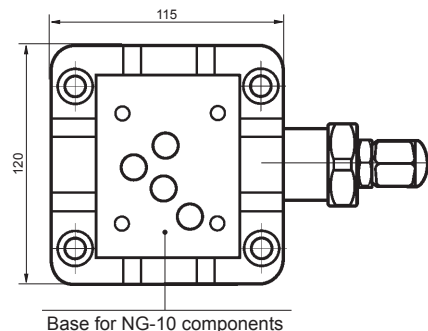


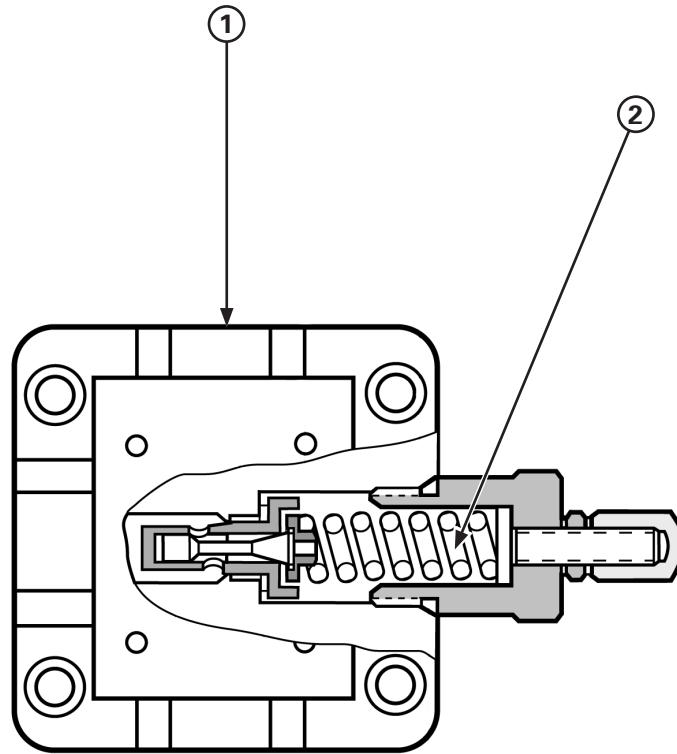
P	Pressure inlet port
A & B	Outlet ports to cylinders or motors
R	Return to tank

B	5-80 bar
D	85-175 bar
F	180-315 bar

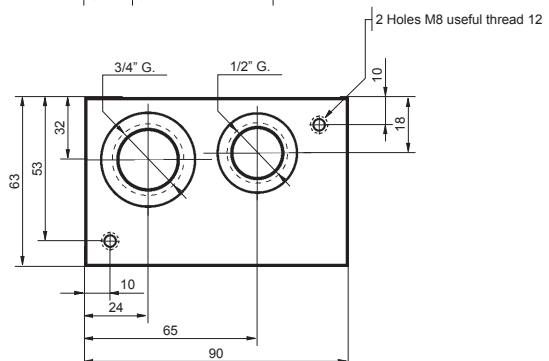
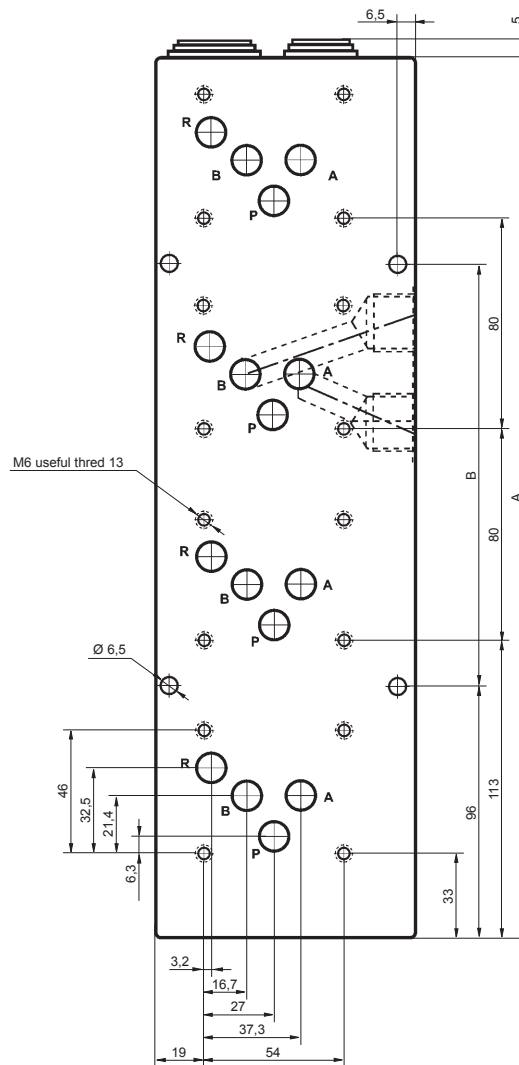
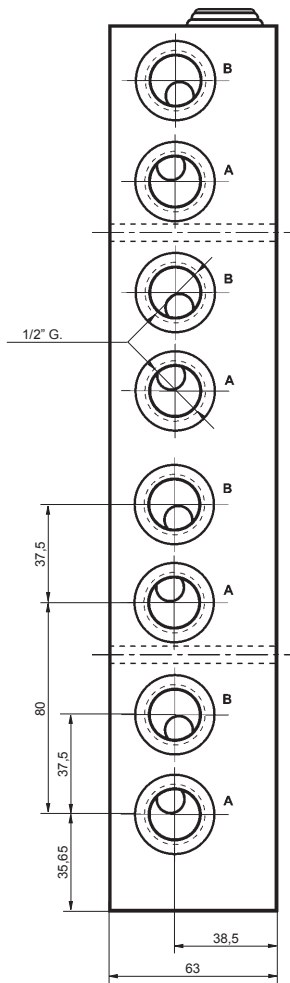
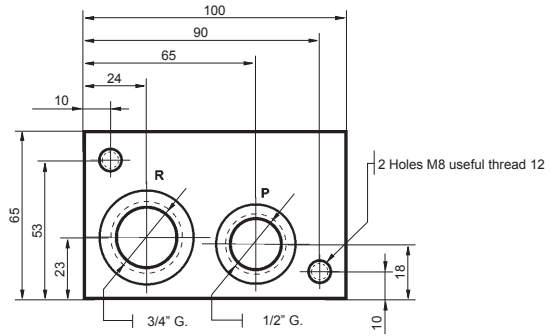
* The asterisk in the part number will be replaced by B - D - F or G according to setting pressure required.

Note:
For diagram pressure-flow, see curves page 45





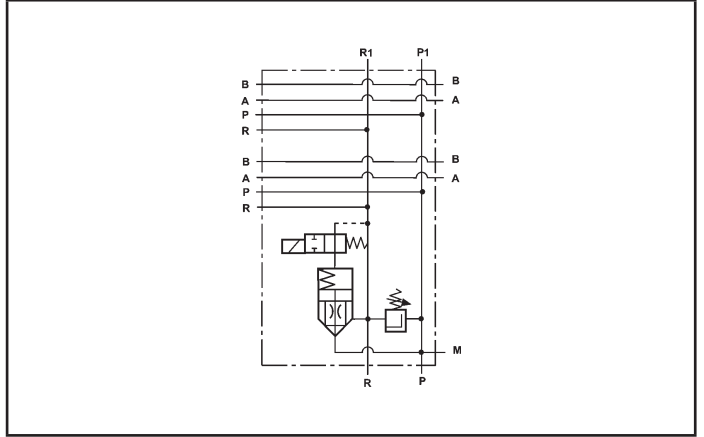
Mark	Part number	Description and parts
1A	2264011	Valve type 11 alve type 11
1B	2264012	Valve type 11 alve type 12
1C	2264013	Valve type 11 alve type 13
2A	5050/1A	Spring (5-80 bar)
2B	5050/2A	Spring (85-175 bar)
2C	5050/3A	Spring (180-315 bar)



RFA. ROQUET	No. Elements	A	B
M859802	2	174	-
M859803	3	254	80
M859804	4	334	160
M859805	5	414	240
M859806	6	494	160+160

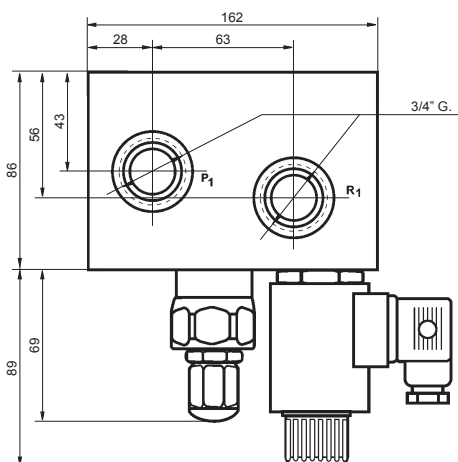
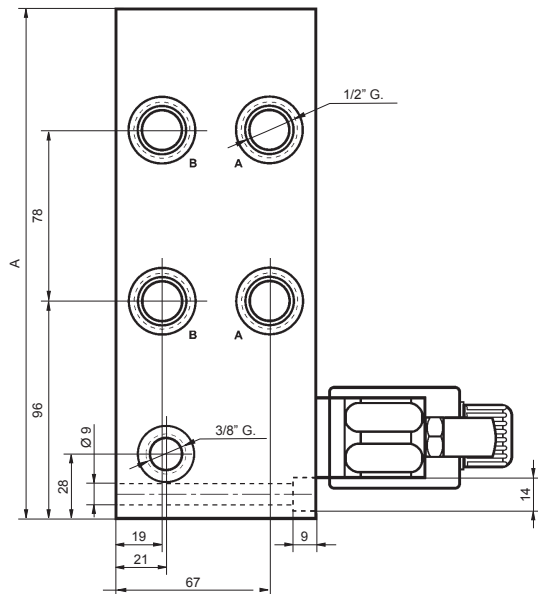
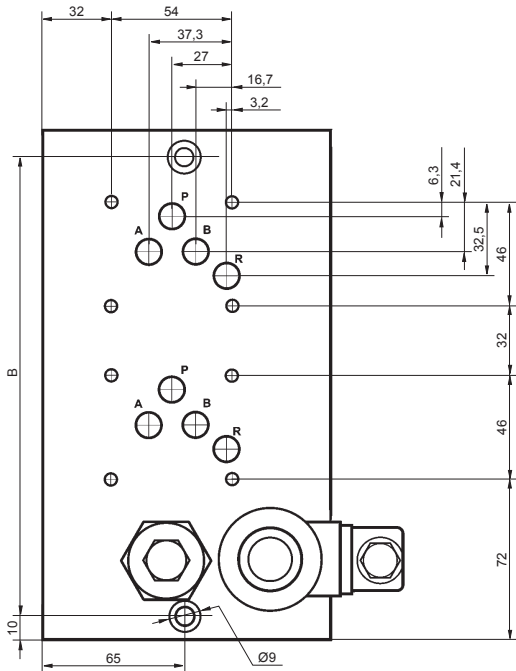
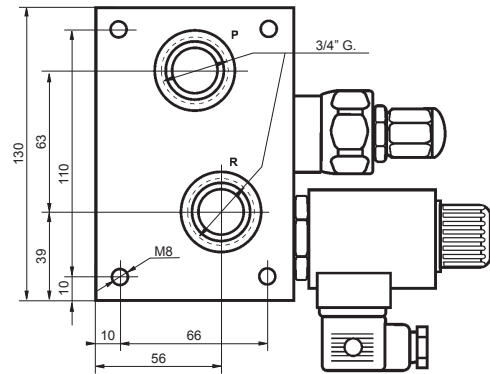
Hydraulic technical data

Max. working pressure	315 bar
Nominal flow	60 L./min.
Fluid recommended	ISO 6743 TYPE HM, HV or HG ISO 3448 Cat. VG32, VG46
Flow temperature range	-20°C...+80°C
Viscosity range	4 - 500 cST
Fluid cleanliness range	19/16 s/. ISO 4406 - RP70H or better

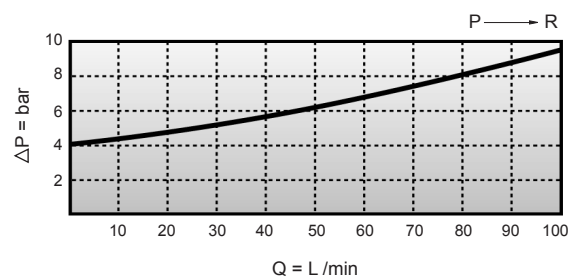


RFA. ROQUET	No. Elements	A	B
1B1LV03 - ●/■	1	145	125
1B2LV03 - ●/■	2	225	205
1B3LV03 - ●/■	3	305	285
1B4LV03 - ●/■	4	380	360
1B5LV03 - ●/■	5	460	440
1B6LV03 - ●/■	6	540	520

- Replace with pressure
 - 00 = without valve
 - 11 = 5 - 80 bar
 - 12 = 80 - 175 bar
 - 13 = 175 - 250 bar
 - 14 = 255 - 315 bar
- Replace with solenoid's voltage
 - 12 = 12V D.C.
 - 24 = 24V D.C.



Curves for by-pass valve



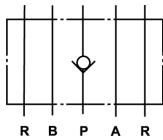
Hydraulic technical data

Max. working pressure	315 bar
Nominal flow	60 L./min.
Fluid recommended	ISO 6743 TYPE HM, HV or HG ISO 3448 Cat. VG32, VG46
Flow temperature range	-20°C...+80°C
Viscosity range	4 - 500 cST
Fluid cleanliness range	19/16 s/. ISO 4406 - RP70H or better
Weight	1,1 kg.



Type 1VRS

RFE. 1VRS03P*



* The asterisk in the part number will be replaced by number «1» when wanted opening pressure is 0,5-1 bar and by number «2» if 2-3 bar is wanted.

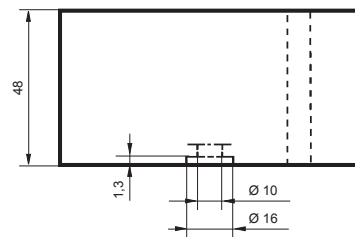
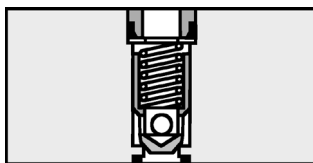
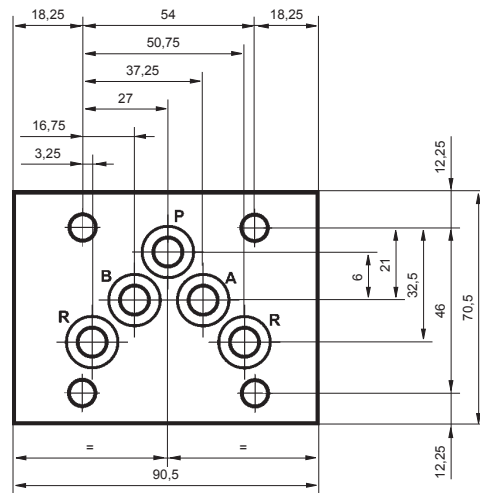
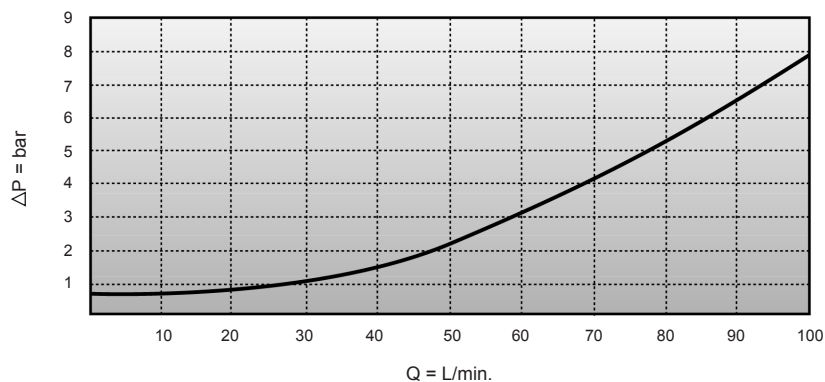


Diagram: Δp -Q to 23 cSt.



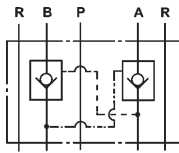
Hydraulic technical data

Max. working pressure	315 bar
Nominal flow	60 L./min.
Decompression ratio	15:1
Opening ratio	2,4:1
Fluid recommended	ISO 6743 TYPE HM, HV or HG ISO 3448 Cat. VG32, VG46
Flow temperature range	-20°C...+80°C
Viscosity range	4 - 500 cST
Fluid cleanliness range	19/16 s/. ISO 4406 - RP70H or better
Weight	2,350 kg.

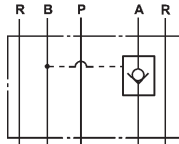


Type 1VRH

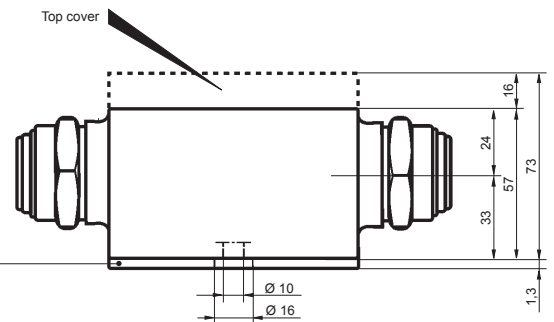
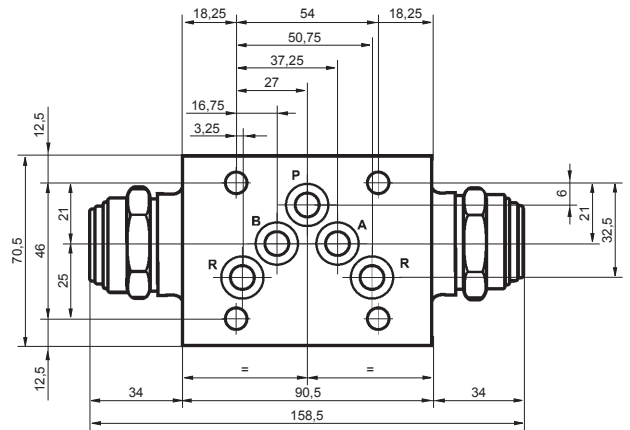
RFE. 1VRHD03P1



RFE. 1VRHS03P1

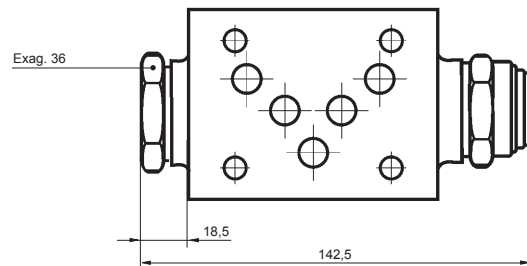
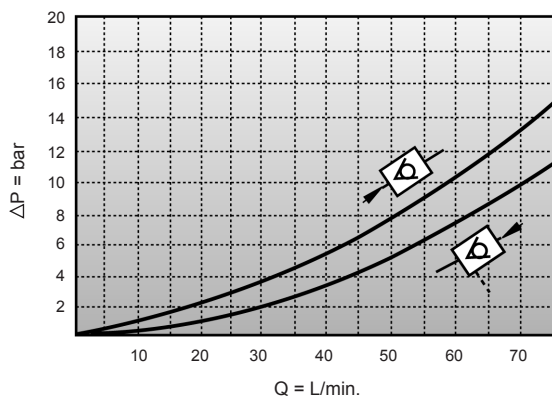


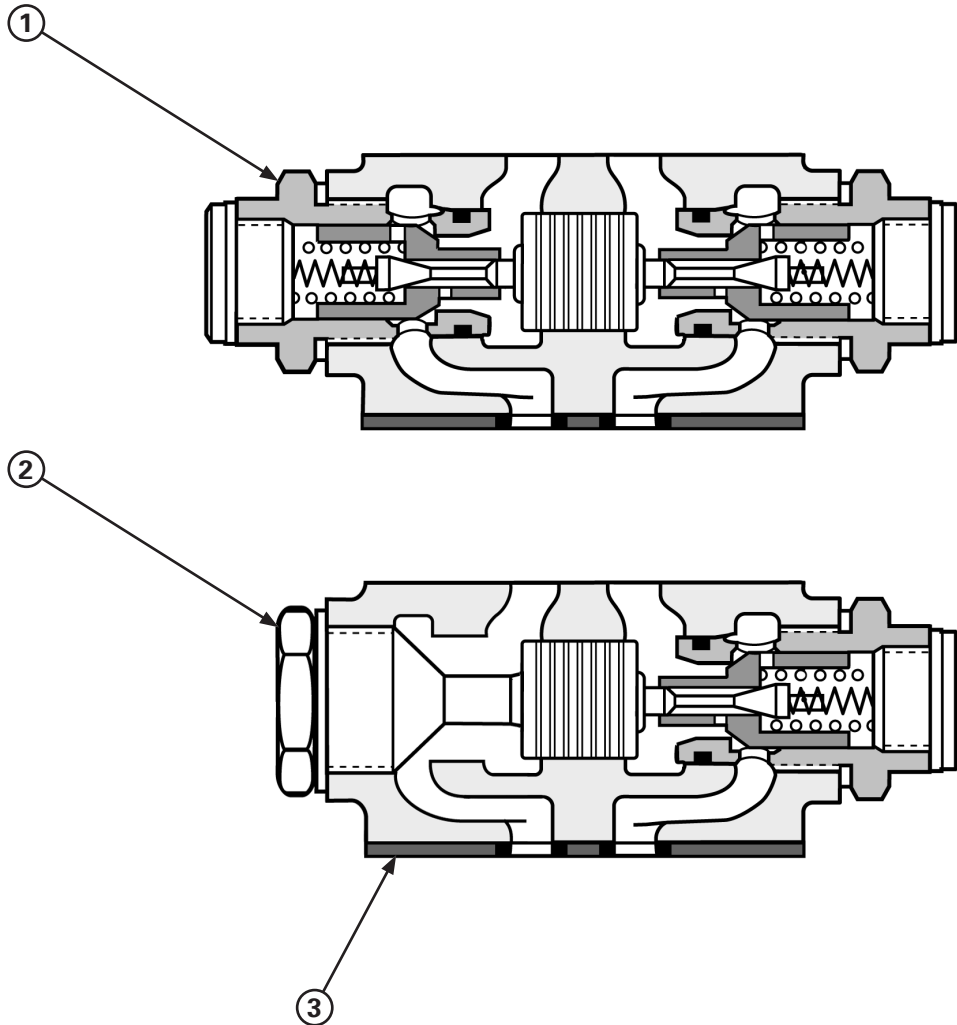
P	Pressure inlet port
A & B	Outlet ports to cylinders or motors
R	Return to tank



This plate ref. no. provided with the valve

Diagram: Δp -Q a 23 cSt.



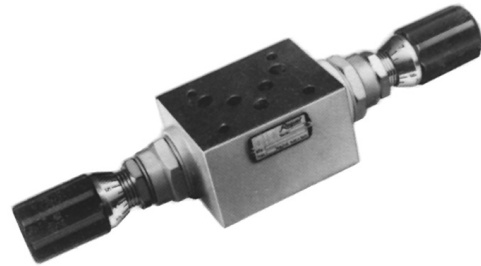


Mark	Part number	Description and parts
1A	5928500	Spare kit of valve
2A	5928501	Spare kit of plug
3A	5928503	Spare kit of subplate

Accessories		That need separate orders		
Sub-plate		RFE. 140001 - 140002 - 332003 - 332004		
Top cover		RFE. 5928502		
O-rings for individual mounting	2	O-rings	Ø 24 x 2	
O-rings for individual mounting	1	O-rings	Ø 12,4 x 1,78	
Screws for fixing	4	Screws	M6 x 75 DIN.912	Torque 14-16 Nm.

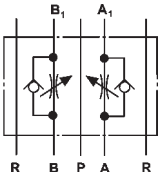
Hydraulic technical data

Max. working pressure	315 bar
Nominal flow	60 L./min.
Min. controlled flow	2 L./min.
Fluid recommended	ISO 6743 TYPE HM, HV or HG ISO 3448 Cat. VG32, VG46
Flow temperature range	-20°C...+80°C
Viscosity range	4 - 500 cST
Fluid cleanliness range	19/16 s/. ISO 4406 - RP70H or better
Weight	4 kg.



Type 2EGD

RFE. 2EGD03P ▲



P	Pressure inlet port
A & B	Outlet ports to cylinders or motors
R	Return to tank

▲	In part number will be replaced by 2 - 3 - 4 according adjustment type
2	Adjustment by nut
3	Adjustment by knob
4	Adjustment by knob and lock

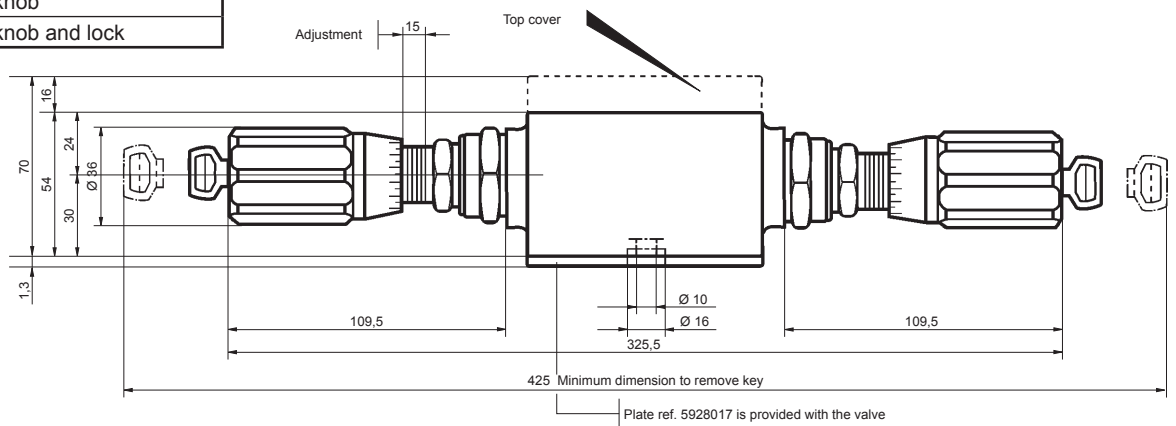
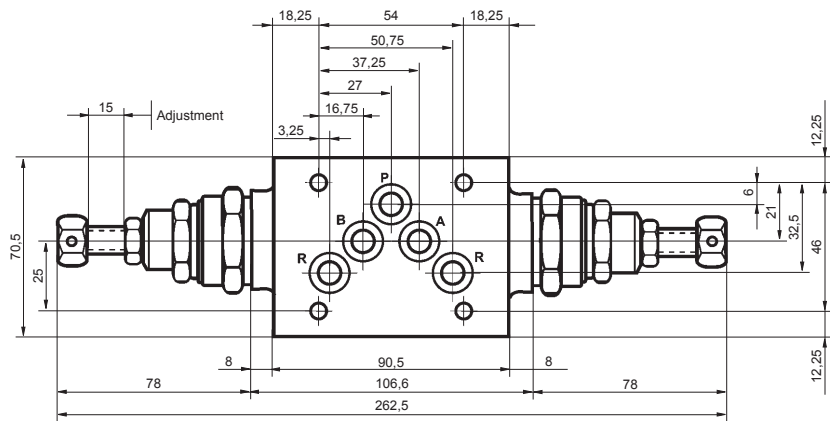
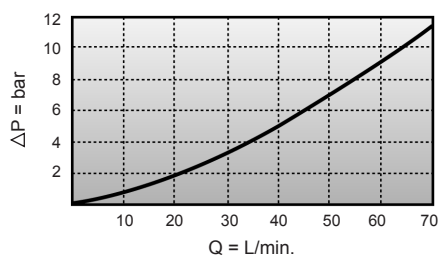
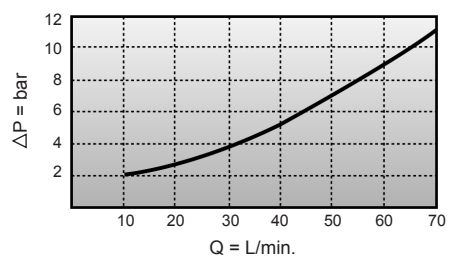


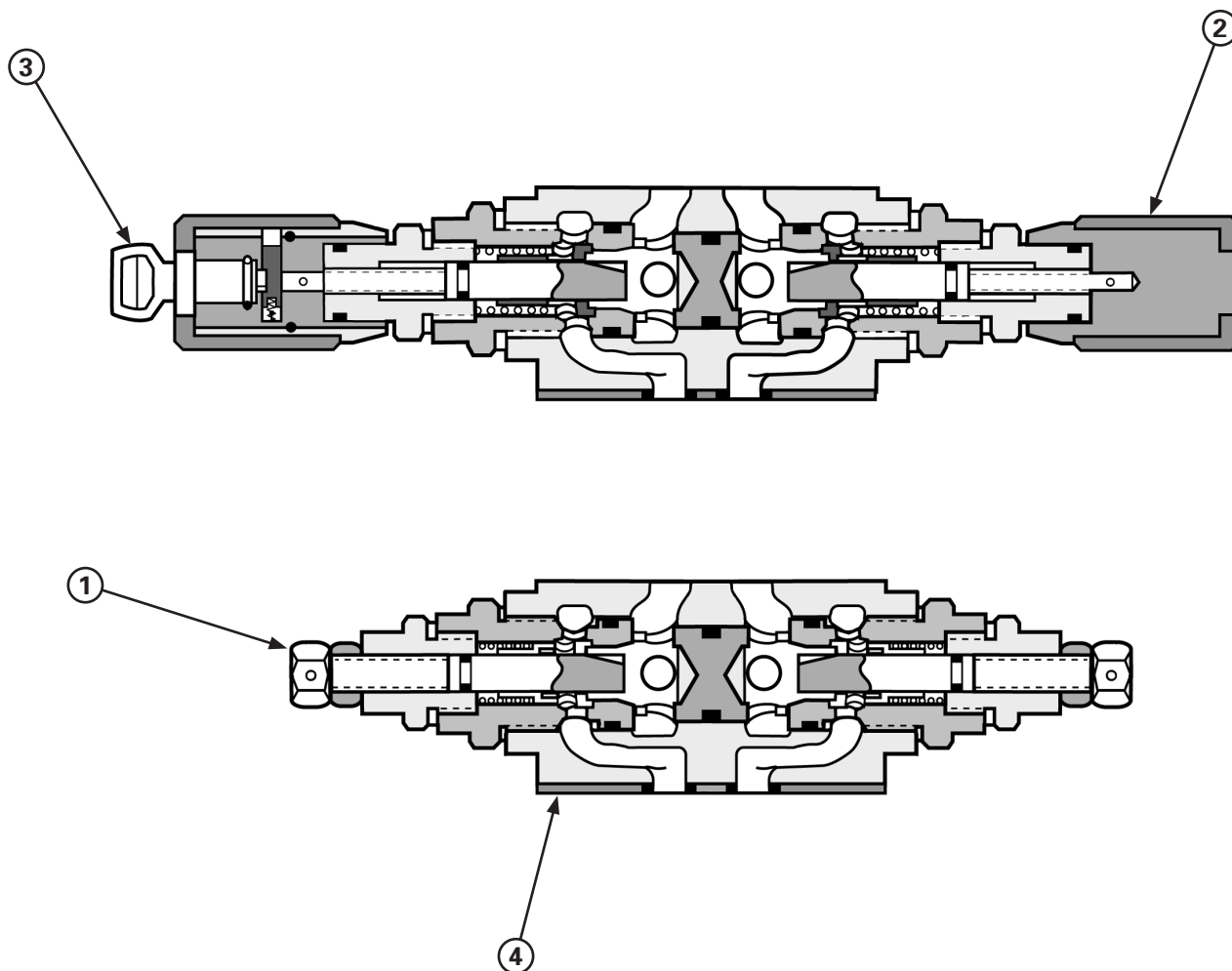
Diagram: Δp -Q to 23 cSt.

Free flow sense, with knob fully open



Free flow sense, with knob fully closed



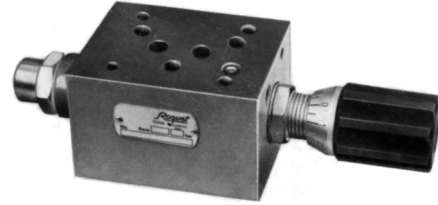


Mark	Part number	Description and parts
1A	7341500	Spare kit of adjustment type 2
2A	7341501	Spare kit of adjustment type 3
3A	7341504	Spare kit of adjustment type 4
4A	5928503	Spare kit of subplate

Accessories		That need separate orders		
Sub-plate		RFE. 140001 - 140002 - 332003 - 332004		
Top cover		RFE. 5928502		
O-rings for individual mounting	2	O-rings	Ø 24 x 2	
O-rings for individual mounting	1	O-rings	Ø 12,4 x 1,78	
Screws for fixing	4	Screws	M6 x 70 DIN.912	Torque 14-16 Nm.

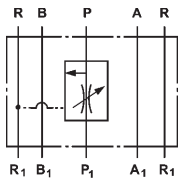
Hydraulic technical data

Max. working pressure	315 bar
Nominal flow	60 L./min.
Min. adjustment differential pressure	6 - 8 bar
Pressure drop P-R with closed adjustment and 60 lts. inlet flow	7 - 8 bar
Min. controlled flow	1 L./min.
Fluid recommended	ISO 6743 TYPE HM, HV or HG ISO 3448 Cat. VG32, VG46
Flow temperature range	-20°C...+80°C
Viscosity range	4 - 500 cST
Fluid cleanliness range	19/16 s/. ISO 4406 - RP70H or better
Weight	3 kg.

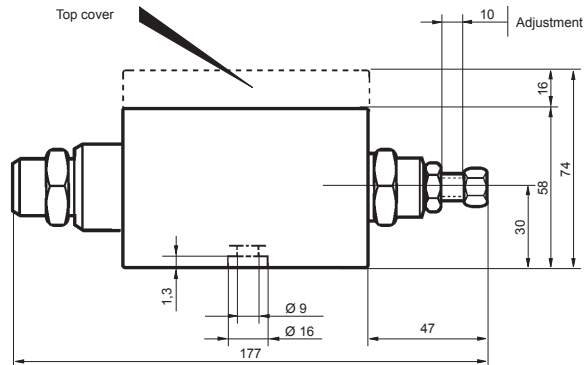
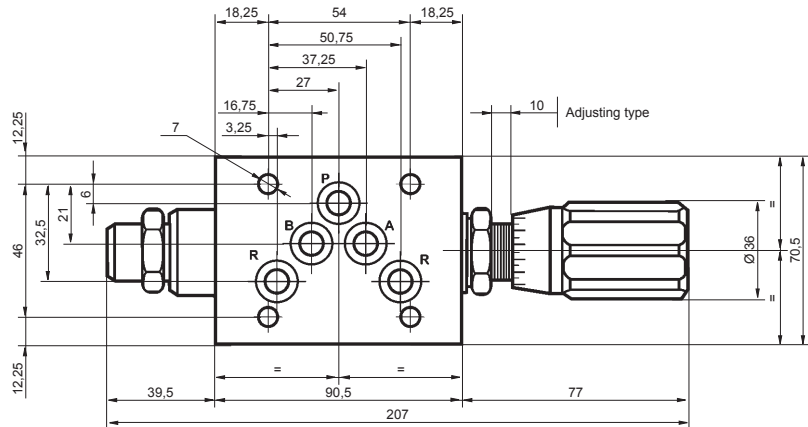
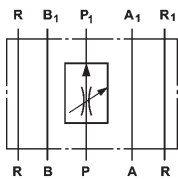


Type 1VCR

RFE. 1VCR03P▲/P



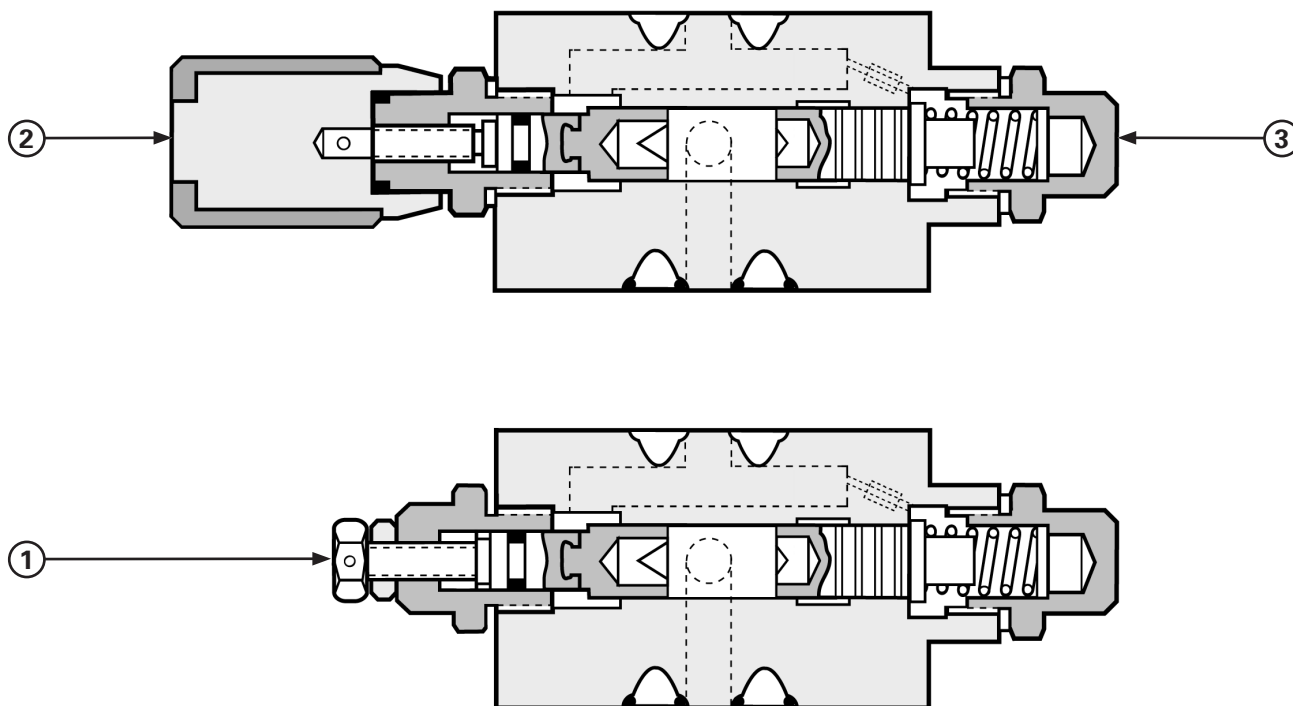
RFE. 1VC03P▲/P



▲ In part number will be replaced by 2 - 3 according adjustment type

2	Adjustment by nut
3	Adjustment by knob

With top cover RF. 5928502 for individual assembly, «P» is pressure line and «B» is regulated flow, being «A» or «R» secondary flow to tank.

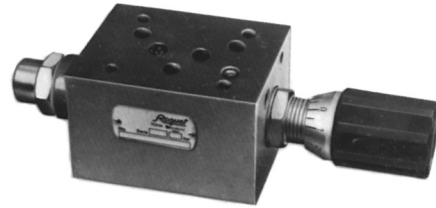


Mark	Part number	Description and parts
1A	7195500	Spare kit of adjustment type 2
2A	7195501	Spare kit of adjustment type 3
3A	7197502	Spare kit of plug

Accessories		That need separate orders		
Sub-plate		RFE. 140001 - 140002 - 332003 - 332004		
Top cover		RFE. 5928502		
O'rings for individual mounting	2	O'rings	Ø 24 x 2	
O'rings for individual mounting	1	O'rings	Ø 12,4 x 1,78	
Screws for fixing	4	Screws	M6 x 75 DIN.912	Torque 14-16 Nm.

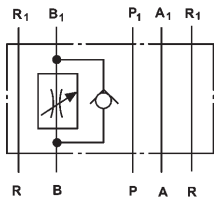
Hydraulic technical data

Max. working pressure	315 bar
Nominal flow	60 L./min.
Min. adjustment differential pressure	6 - 8 bar
Min. controlled flow	1 L./min.
Fluid recommended	ISO 6743 TYPE HM, HV or HG ISO 3448 Cat. VG32, VG46
Flow temperature range	-20°C...+80°C
Viscosity range	4 - 500 cST
Fluid cleanliness range	19/16 s/. ISO 4406 - RP70H or better
Weight	3 kg.

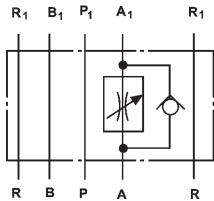


Type 1VCR

RFE. VCR03P▲/B



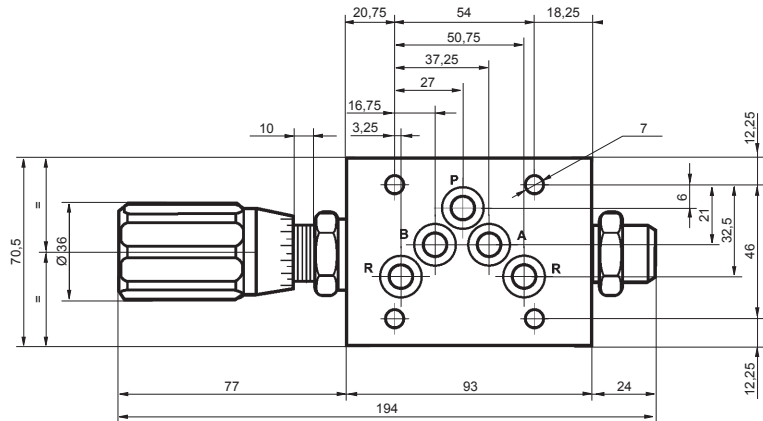
RFE. 1VCR03P▲/A



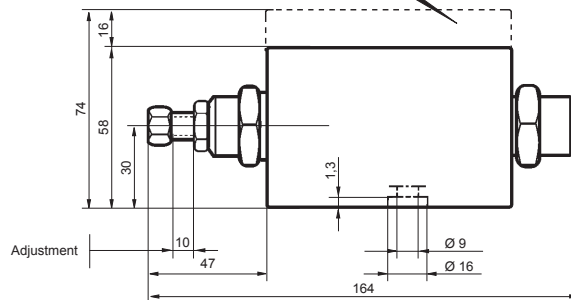
▲ In part number will be replaced by 2 - 3 according adjustment type

2	Adjustment by nut
3	Adjustment by knob

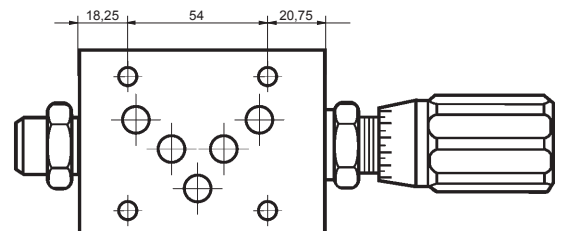
Port adjustment (B)

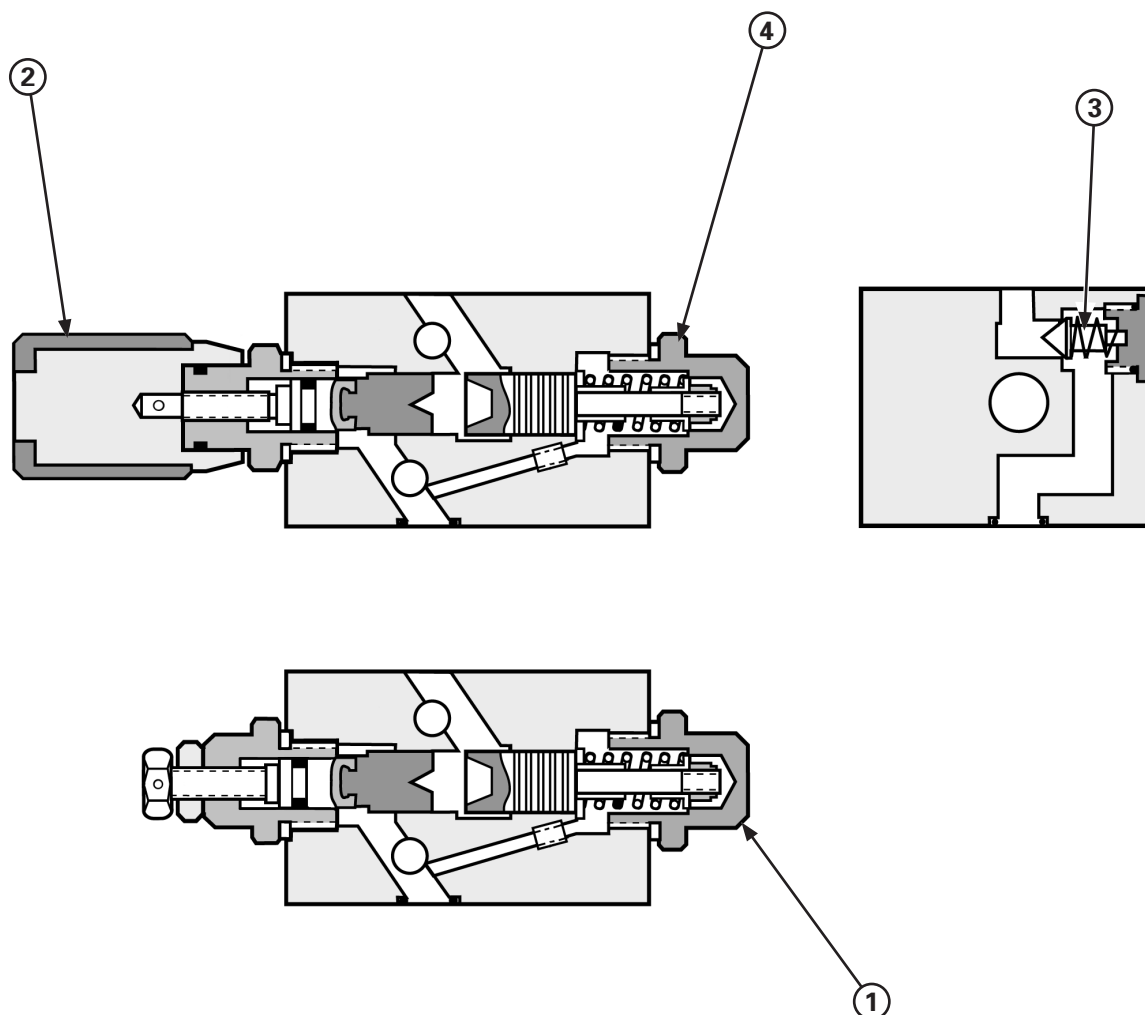


Top cover



Port adjustment (A)



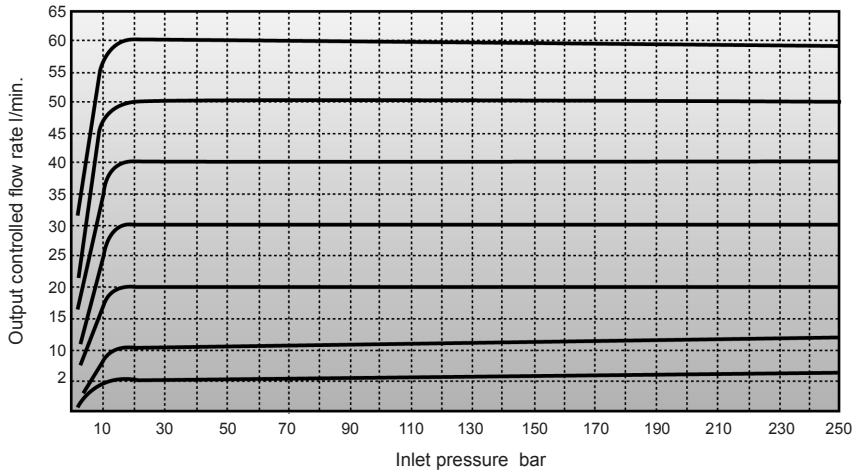


Mark	Part number	Description and parts
1A	7195500	Spare kit of adjustment type 2
2A	7195501	Spare kit of adjustment type 3
3A	714300	Spare kit of anticavitation valve
4A	7197502	Spare kit of plug

Accessories That need separate orders				
Sub-plate	RFE. 140001 - 140002 - 332003 - 332004			
Top cover	RFE. 5928502			
O'rings for individual mounting	2	O'rings	Ø 24 x 2	
O'rings for individual mounting	1	O'rings	Ø 12,4 x 1,78	
Screws for fixing	4	Screws	M6 x 75 DIN.912	Torque 14-16 Nm.

2 ways flow control valve

Diagram: Pressure - Flow rate



Metering curve

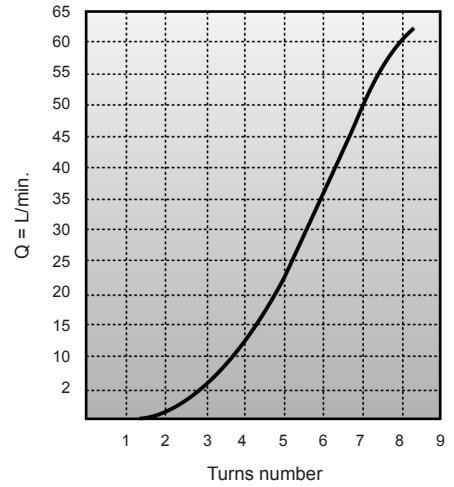
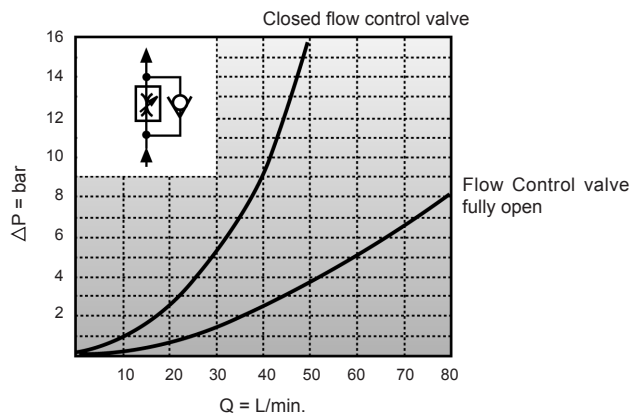
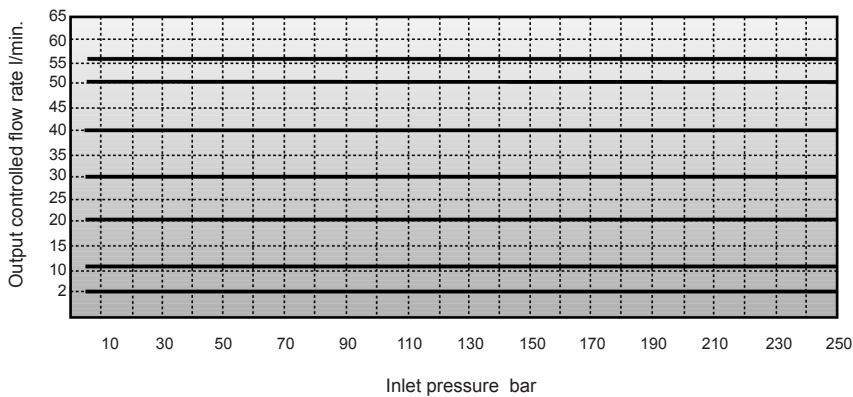


Diagram: Δp -Q to 23 cSt.

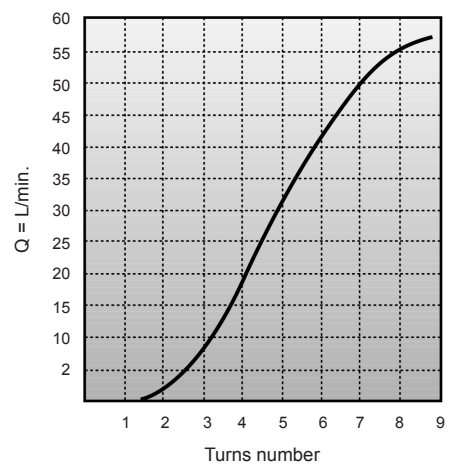


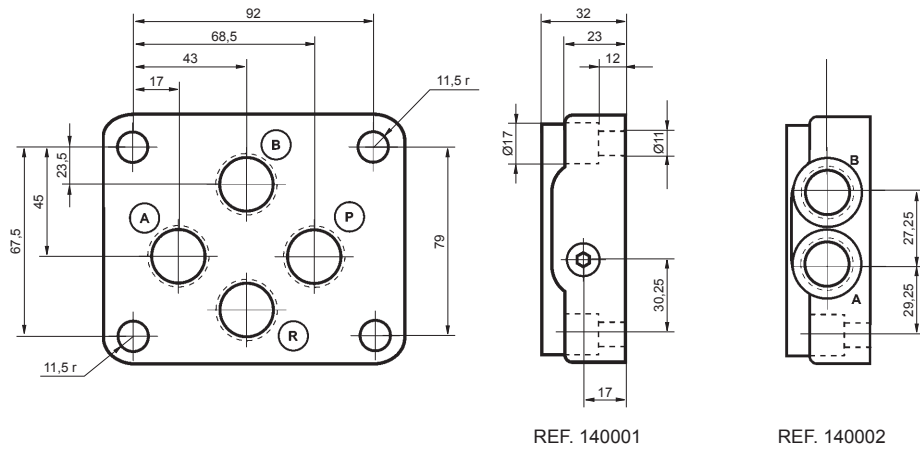
3 ways flow control valve

Diagram: Pressure - Flow rate



Metering curve

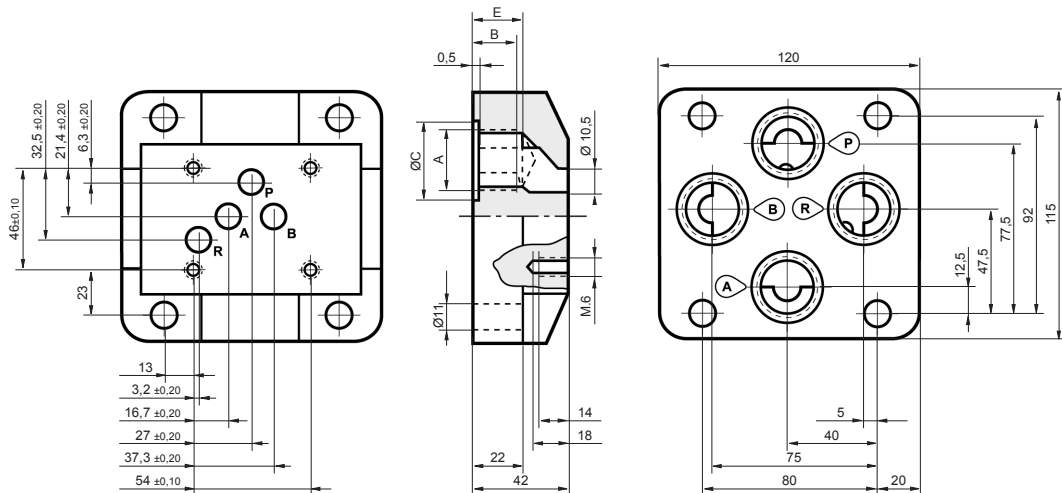




REF. 140001

REF. 140002

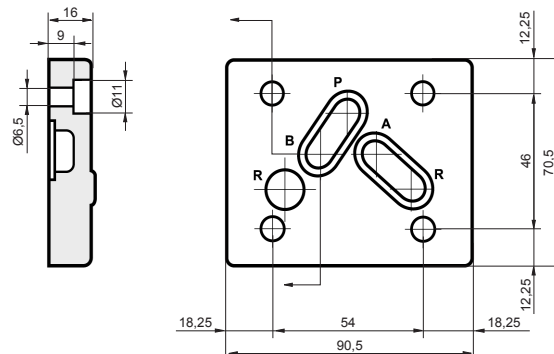
RFA. ROQUET	A-B-P-R	Weight
140001	3/8" G.	1,9 Kg.
140002		



RFA. ROQUET	A	B	C	D	E	Weight
140001	1/2" G.	15	Ø 30	0,5	20	3 Kg.
140002	3/4" G.	17	Ø 36		21,5	

Top cover

REF. 5928502



Approx. weight 0,800 Kg.

PART NUMBER

5 EV	P	3	P	1	C	05	R	220-50	F	*
↑	↑	↑	↑	↑	↑	↑	↑	↑	↑	↑
1	2	3	4	5	6	7	8	9	10	11

1 Function	
5EV	Solenoid controlled valve NG-16 / NG-25 with NG-6
1HV	Directional control valve with hydraulic pilot

7 Size	
05	NG - 16
06	NG - 25

2 Mounting	
P	Sub-plate

8 Current type	
D	DC voltage
R	AC voltage

3 Positions and solenoids	
1	Two positions one solenoid
2	Two positions two solenoids
3	Three positions two solenoids
4	Two positions without solenoid
5	Three positions without solenoid
6	Two positions without solenoid spring return
7	Three positions with detent without solenoid
8	Two fixed positions third position with spring without solenoid

9 Voltage and frequency	
A.C.	24V - 50Hz / 48V - 50Hz / 110V - 50Hz / 220V - 50Hz 115V - 60Hz / 230V - 60Hz
D.C.	12V - 24V

4 Solenoid controlled valve type	
P	Piloted
D	Direct

10 Pilot and drain	
I	Internal-External
E	External-External
F	Internal-Internal
G	External-Internal

5 Spool type	
1 - 2 - 3 - 4 - 5 - 6	

11 Additional data	
L	Connector with led
V	Connector with varisto
LD	Connector with led and diode
REC	Connector with rectifier

6 Ways	
C	4
B	3

Note:

The asterisk on the reference will be replaced by letter «E» when solenoid valve with throttle valve reference 2EGD02P▲ is required, or by letter «R» when in-built check valve reference 6887068 (NG-16) - 4955040 (NG-25)

Hydraulic technical data		
Size	NG - 16	NG -25
Max. working pressure	350 bar	
Nominal flow rate (see diagrams page 73)	200 L./min.	350 L./min.
Nominal pressure in return	350 bar	
Fluid to be used	ISO 6743 TYPE HM, HV or HG ISO 3448 Cat. VG32, VG46	
Fluid temperature range	-20°C...+80°C	
Viscosity range	4 - 500 cST	
Recommended fluid cleanliness	19/16 s/. ISO 4406 - RP70H or better	

Electrical technical data		
Consumption per solenoid		
DC voltagecurrent D.C.	38 W	
Alternate current A.C.	Open circuit	180 VA
	Closed circuit	65 VA
D.C. Voltage range	12V - 24V	
A.C. Voltage range	24V-48V-110V-220V (50Hz) 115V-230V (60Hz)	
Operating factor	ED 100%	
Protection to DIN-40050	IP - 65	
Voltage tolerance	Unom ± 10%	
Switching frequency	D.C. = Max. 15000/h A.C. = 7200/h	
Response time	D.C.	A.C.
Switch ON	20 - 60 ms.	10 - 25 ms.
Switch OFF	50 - 70 ms.	25 - 50 ms.

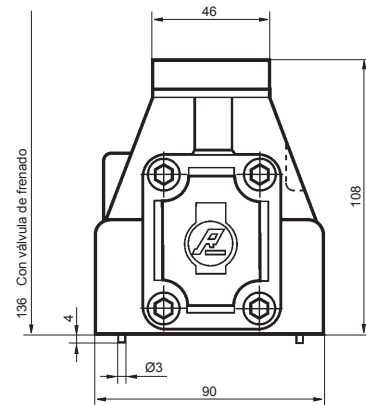
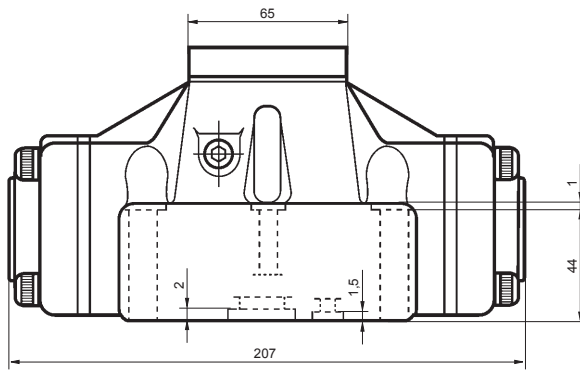
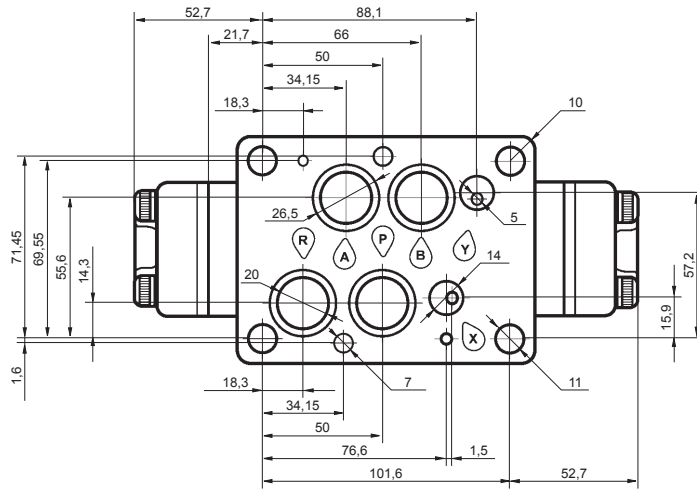
Standard distribution systems

Reference	Spool type	Symbol	Connections					
			Solenoid "A" switched on		Central position	Solenoid "B" switched on		
5EVP3P1C...	1		P (1) A	B (2) R	P (1) R	A & B (2)	P (1) B	A (2) R
5EVP2P2C...	2				-----			
5EVP3P2C...	2				A, B, P (1) R			
5EVP3P3C...	3				P (2) A & B (1) R			
5EVP3P4C...	4		P (1) B	A (2) R	A, B & P (1) R			
5EVP3P5C...	5				A (1) R B & P (2)			
5EVP3P6C...	6				A (2) B & P (1) R			
			Solenoid switched ON			Solenoid switched OFF		
5EVP1P2C...	2		P(1) B	A (1) R	P (1) A		B (1) R	

(1) Connected. (2) Closed.

Note:

To complete the reference see general coding system page 66.



P	Pressure inlet port
A & B	Outlet ports to cylinders or motors
R	Return to tank
X - Y	Pilot inlet

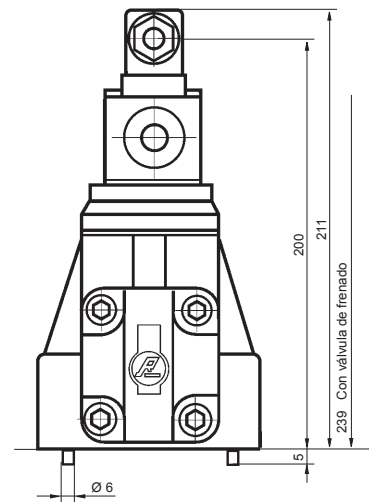
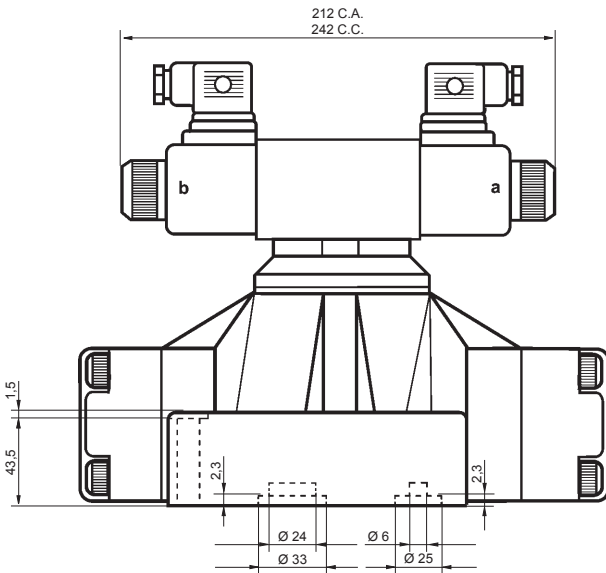
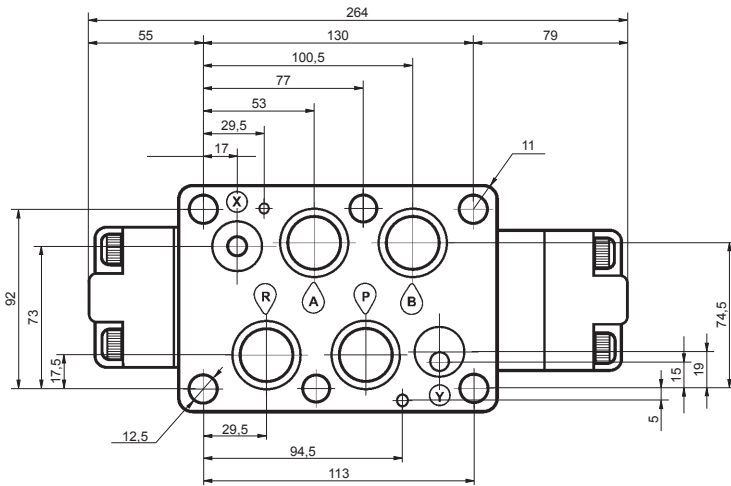
Weight	6'5 kg.
---------------	---------

Note:
Pilot pressure must be 4 bar minimum

Standard distribution systems

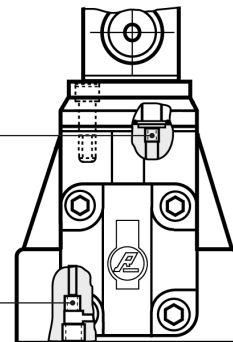
Reference	Symbol	Spool form	Connections 1HV				
			Pilot (X)		Central position	Pilot (Y)	
1HV • VP5 ■ 1C▲		1	P (1) A	B (1) R	P (1) R A & B (2)	P (1) B	A (1) R
1HV • VP5 ■ 2C▲		2	P (1) B A (1) R		A, B, P & R (2)	P (1) A B (1) R	
1HV • VP4 ■ 2C▲		2					
1HV • VP5 ■ 3C▲		3	P (1) B A (1) R		P (2) A & B (1) R	P (1) A B (1) R	
1HV • VP5 ■ 4C▲		4			A, B, P (1) R		
1HV • VP5 ■ 5C▲		5			A (1) R B & P (2)		
1HV • VP5 ■ 6C▲		6	P (1) B A (1) R		A (2) B & P (1) R	P (1) A B (1) R	
1HV • VP6 ■ 2C▲		2					

(1) Connected. (2) Closed.



Ref.: 4955047
 With plug, external return
 Without plug, internal return

Ref.: 4955047
 With plug, external pilot
 Without plug, internal pilot



P	Pressure inlet port
A & B	Outlet ports to cylinders or motors
R	Return to tank
X	External pilot oil inlet
Y	Pilot external return

Weight	13 kg.
---------------	--------

Note:
 Pilot pressure must be 4 bar minimum

PART NUMBER							
5 EV	P	3	P	1	C	05	*

↑
1

↑
2

↑
3

↑
4

↑
5

↑
6

↑
7

↑
8

1 Function	
5EV	Solenoid controlled valve NG-16 / NG-25 with NG-6
1HV	Directional control valve with hydraulic pilot

4 Solenoid controlled valve type	
P	Piloted
D	Direct

2 Mounting	
P	Sub-plate

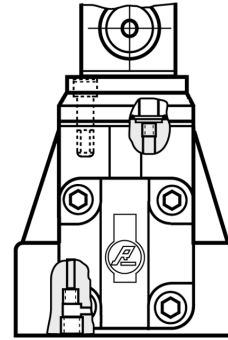
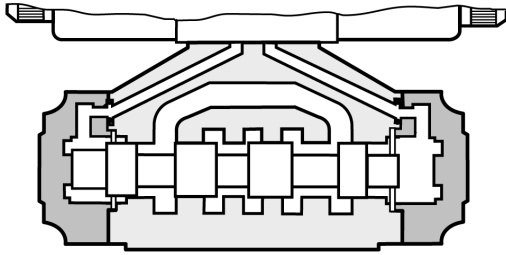
5 Spool type	
1 - 2 - 3 - 4 - 5 - 6	

3 Positions and solenoids	
1	Two positions one solenoid
2	Two positions two solenoids
3	Three positions two solenoids
4	Two positions without solenoid
5	Three positions without solenoid
6	Two positions without solenoid spring return
7	Three positions with detent without solenoid
8	Two fixed positions third position with spring without solenoid

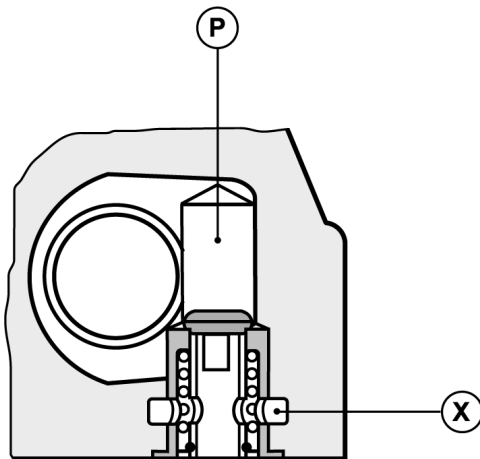
6 Ways	
C	4
B	3

7 Size	
05	NG - 16
06	NG - 25

8 Additional data	
-------------------	--



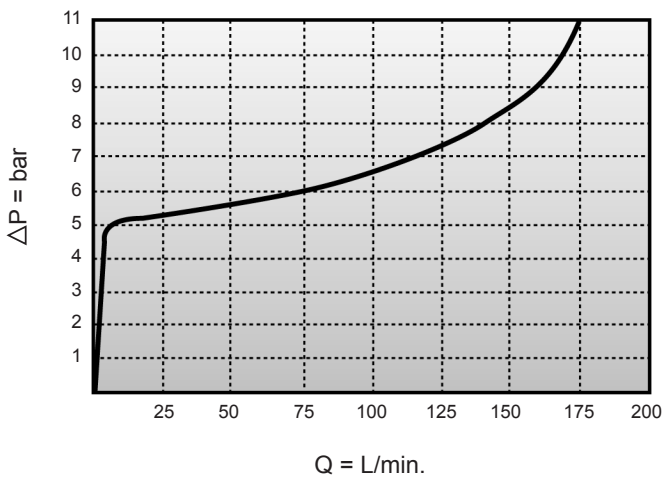
Accessories		That need separate orders				
NG	Sub-plate	Screws for fixing valve to sub-plate				
16	316001 - 316002	4	Screws	DIN. 912	M10 x 60	Torque 42-47 Nm.
		2	Screws	DIN. 912	M6 x 60	Torque 14-16 Nm.
25	141001 - 141002 - 141003	6	Screws	DIN. 912	M12 x 65	Torque 110-120 Nm.



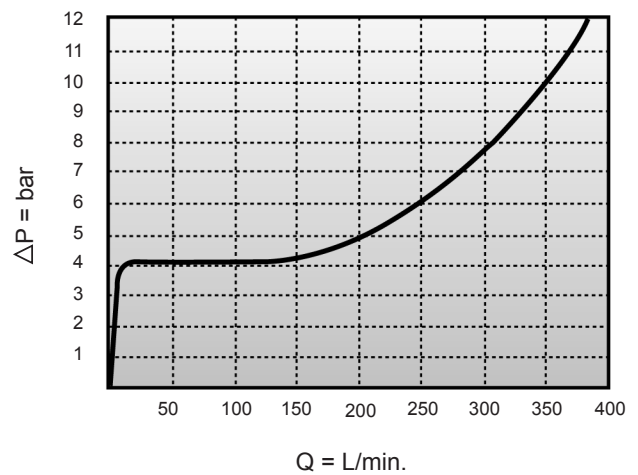
Ref. 6887068 (NG - 16)

Ref. 4955040 (NG - 25)

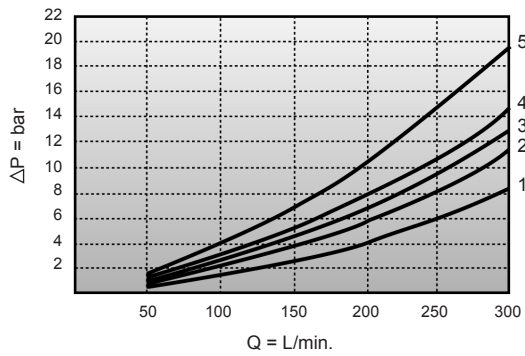
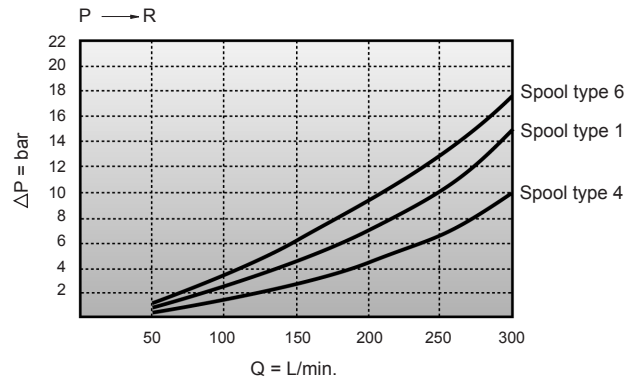
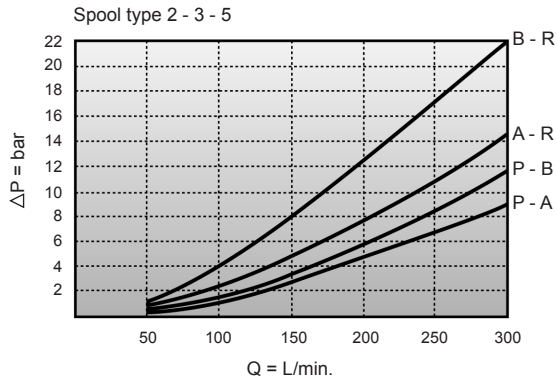
NG - 16



NG - 25

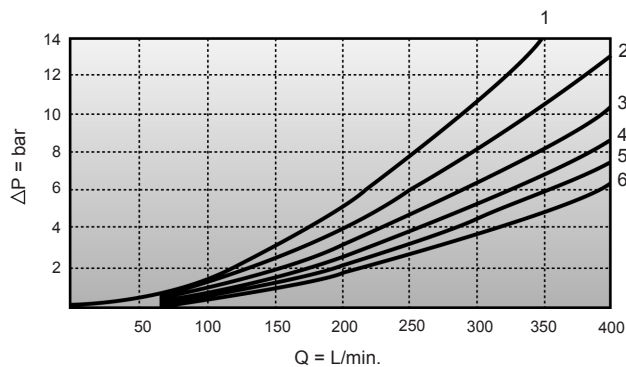


NG - 16



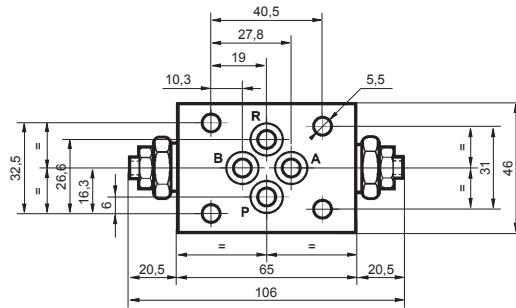
1:	P → A ó B	Spool type	1 - 4
	P → B	Spool type	6
2:	P → A	Spool type	6
3:	A → R	Spool type	1 - 4
4:	A → R	Spool type	6
5:	B → R	Spool type	1 - 4 - 6

NG - 25

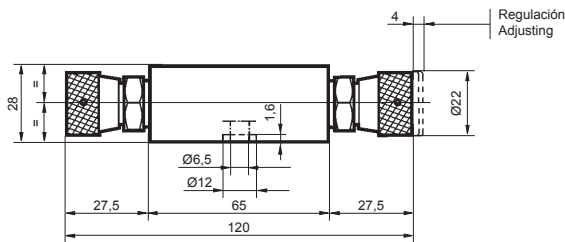


1:	P → R	Spool type	1
2:	P → R	Spool type	6
3:	A → R	Spool type	4
4:	A ó B → R	Spool type	1-2-3-4-5-6
5:	P → A ó B	Spool type	1
6:	B → A ó B	Spool type	2-3-4-5-6

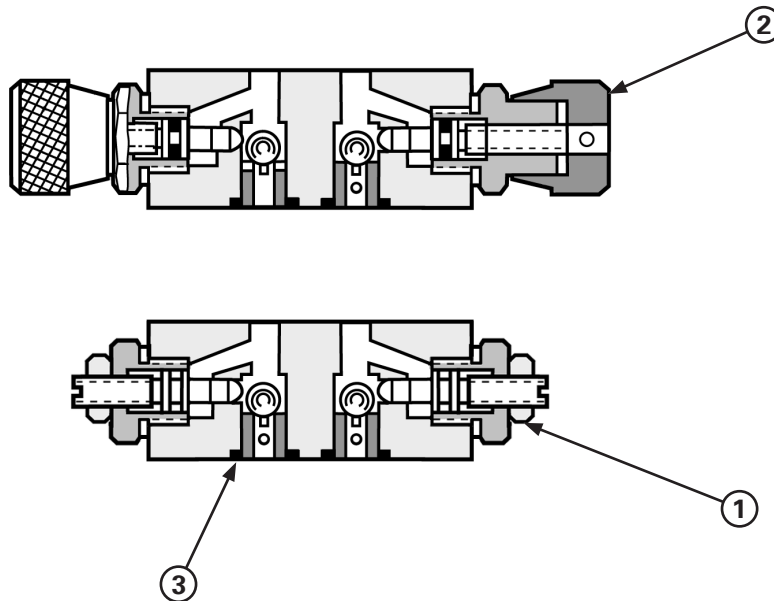
REF. 2EGD02P2



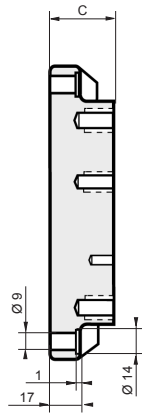
REF. 2EGD02P1



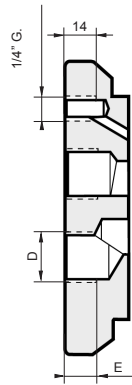
Brake valve for solenoid controlled valves (spare parts)



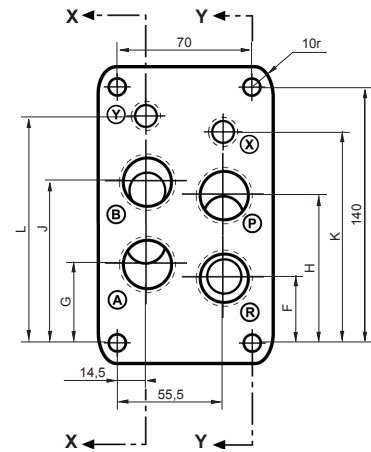
Mark	Part number	Description and parts
1A	4319500	Spare kit of restrictor. Adjustable by screw.
2A	4320500	Spare kit of restrictor. Adjustable by wheel.
3A	N4319/15	Spare kit of seals.



Section Y - Y

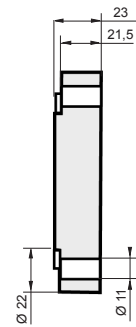
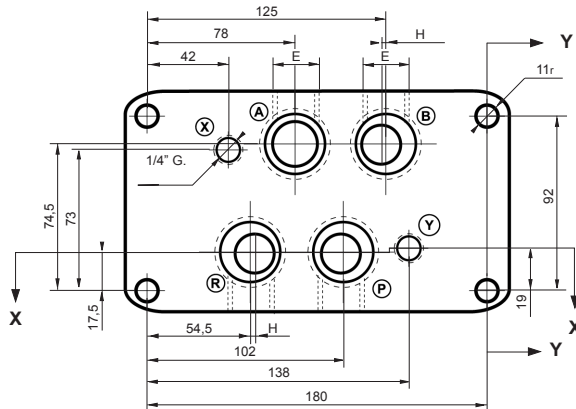
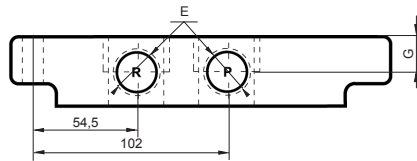


Section X - X

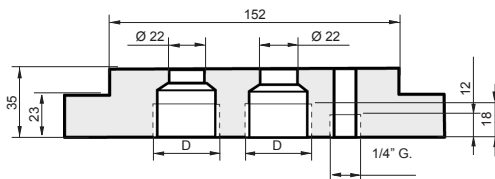


Part number	C	D (G.)	E	F	G	H	J	K	L	Weight kg.
316001	31	1/2"	16	29	43	69,2	83	100	113	3,150
316002	33	3/4"	18	32	44	77	89	112	124	3,300

Sub-plates NG - 25



Section Y - Y



Section X - X

Part number	D	E	G	H	Weight kg.
141001	3/4" G.	-	-	-	4,7
141002	1" G.	-	-	2,5	
141003	3/4" G.	1/2" G.	17,5	-	

A large rectangular area filled with a grid of small, evenly spaced dotted lines, intended for writing notes.

Roquet
making moves

www.roquetgroup.com